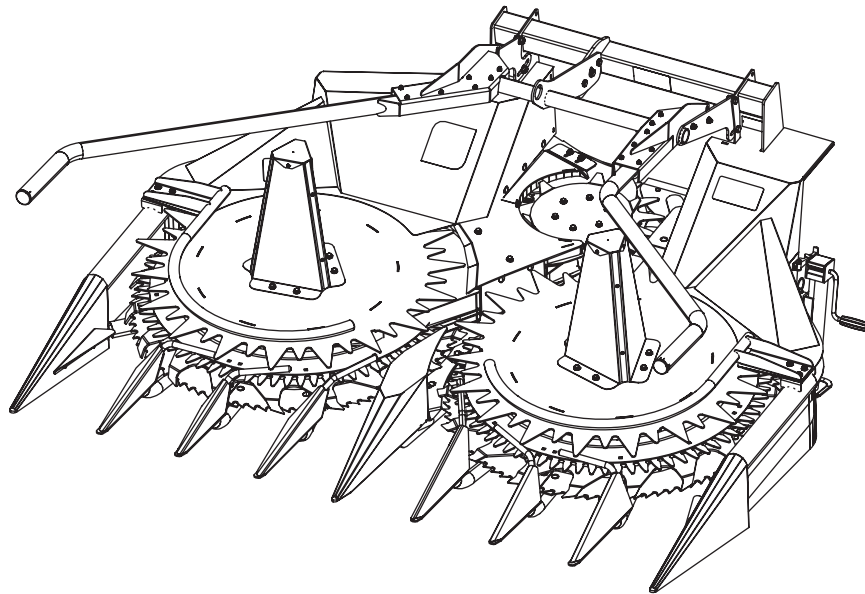




# ***CH1403 3-Row Rotary Corn Head***



## ***Parts and Setup Manual***



## Index

---

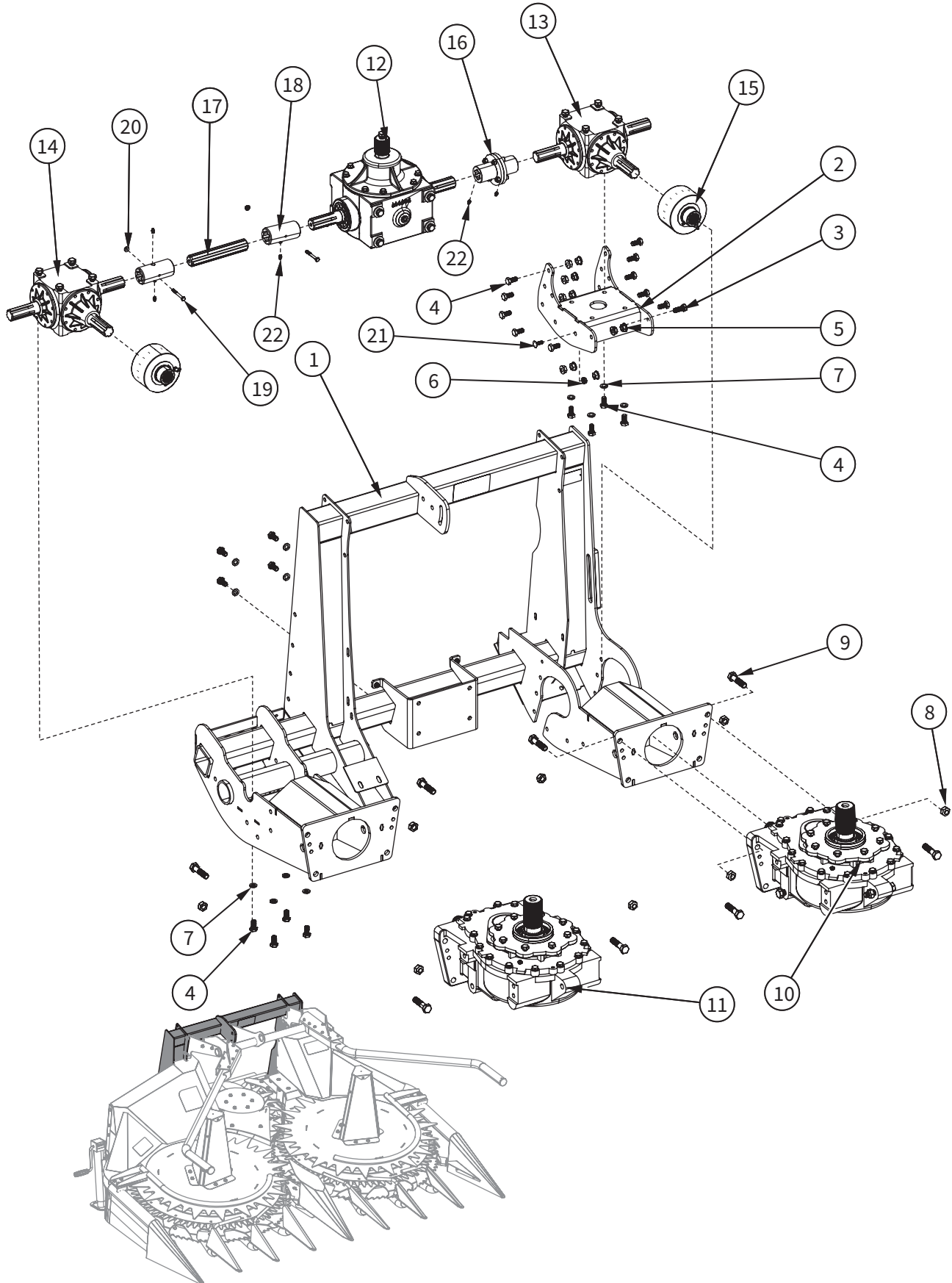
Corn Head Main Frame and Gearboxes Assembly and Parts List .....	4-5
Skid Shoe and Jacks Assembly and Parts List .....	6-7
Center Tower Assembly and Parts List .....	8-9
Rotors and Cones Assembly and Parts List .....	10-11
Left Tower and Cleaner Assembly and Parts List .....	12-13
Right Tower and Stuffer Cleaner Assembly and Parts List.....	14-15
Stuffer Ramp and Shaft Shields Assembly and Parts List.....	16-17
Stuffer Rotor and Blades Assembly and Parts List .....	18-19
Snouts Assembly and Parts List.....	20-21
Nose Assembly and Parts List .....	22-23
Lift Hook and Cob Assembly and Parts List.....	24-25
Stuffer Rotor Gearbox Assemblies and Parts List.....	26-29
Large Rotor Gearbox Drive Assembly and Parts List .....	30-31
Large Rotor Gearbox Input Side Assembly and Parts List.....	32-33
New Holland Mounts and Clutch Assembly and Parts List.....	34-37
Gehl Mount Assembly and Parts List .....	38-41
JD Mounts and Deflector Assembly and Parts List.....	42-45
Dion Mounts and Deflector Assembly and Parts List .....	46-51
Maintenance .....	52-56
Tighten Chains - Mount .....	52
Check and Add Oil to Gearboxes.....	53
Grease Zerks .....	54
Grease Points - Mount .....	55
Check Blade Cleaners or Wackers.....	56
Troubleshooting .....	57-63
Plugging Behind Rotor .....	58
Plugging Underneath or in Front of.....	59

## Index

---

Slug Feeding .....	60
Deflector Broke or Out of Adjustment .....	61
Center Blade Cleaner Wore .....	62
Stalks laying on Front of Chopper .....	63
Decals.....	64-65

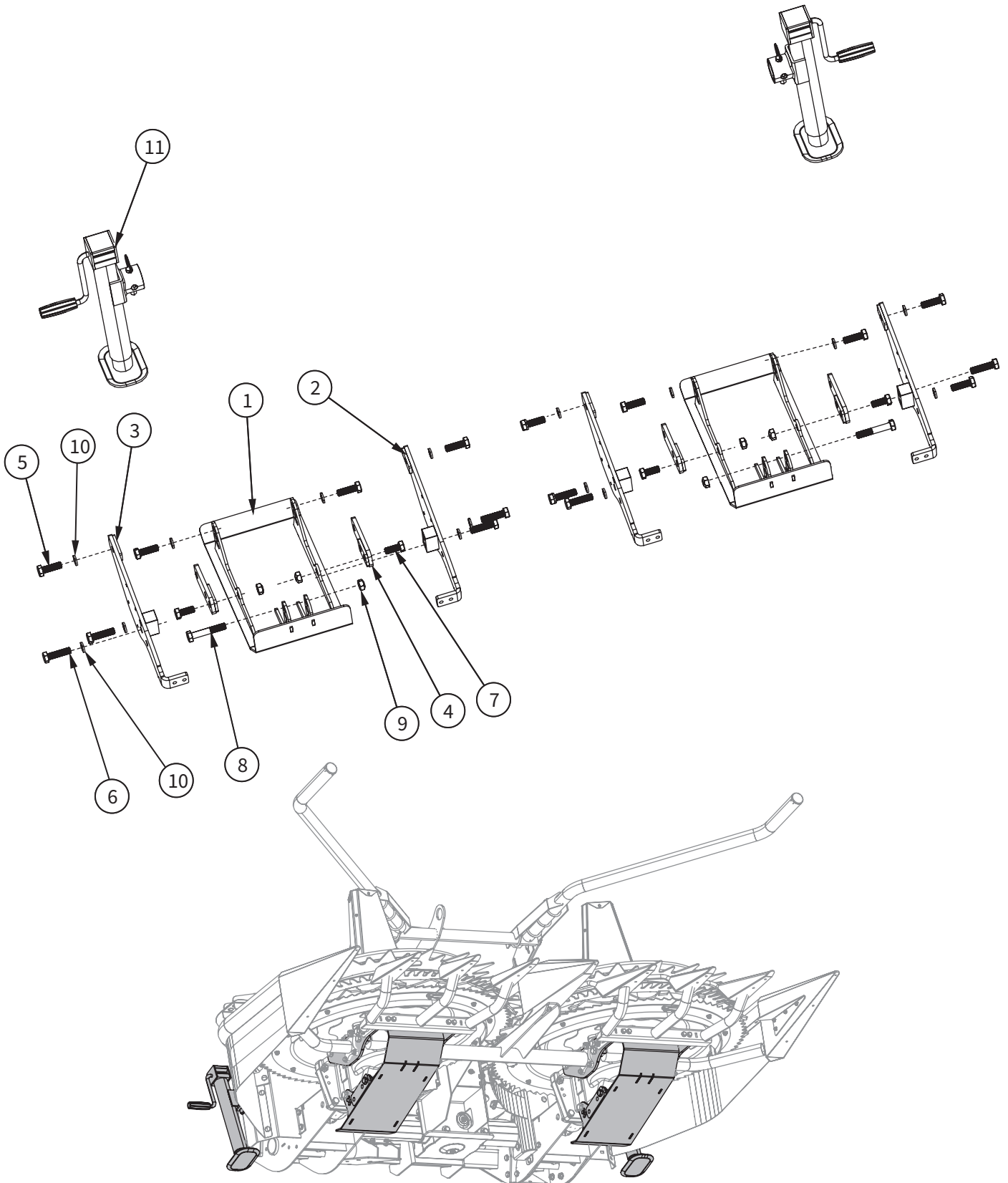
Figure 1 1403 Corn Head Main Frame and Gearboxes Assembly



**Figure 1 1403 Corn Head Main Frame and Gearboxes Parts List**

<b>Item</b>	<b>Part Number</b>	<b>Description</b>	<b>Quantity</b>
1	7037	1403 cornhead main frame	1
2	7104	Removable left T-gearbox mount	1
3	CS12x114G5	1/2" x 1 1/4" NC Gr5 cap screw zinc	1
4	CS12x1G5	1/2" x 1" NC Gr5 cap screw zinc	22
5	FN12	1/2" Serrated flange nut zinc	12
6	FN38	3/8" Serrated flange nut zinc	1
7	LW12	1/2" lock washer	12
8	LN58S	5/8" lock nut	8
9	CS58x212G5	5/8" x 2 1/2" Gr5 cap screw zinc	8
10	7001L	Left drum gearbox	1
11	7001R	Right drum gearbox	1
12	7002	Stuffer gearbox	1
13	7009L	Gearbox 1 to 1 1/2 ratio	1
14	7009R	Gearbox 1 to 1 1/2 ratio	1
15	7015	Gearbox chain coupler	1
16	7109	1403 split-face coupler	1
17	7084	1 3/8-6 spline shaft	1
18	7110	1 3/8"-6 spline coupler 4 1/4" long	2
19	CS14x214G5	1/4" x 2 1/4" NC Gr5 cap screw zinc	2
20	FN14	1/4" Serrated flange nut zinc	2
21	CB38x1	3/8" x 1" NC carriage bolt zinc	1
22	GF1008	1/4"-28 straight male grease zerk	4

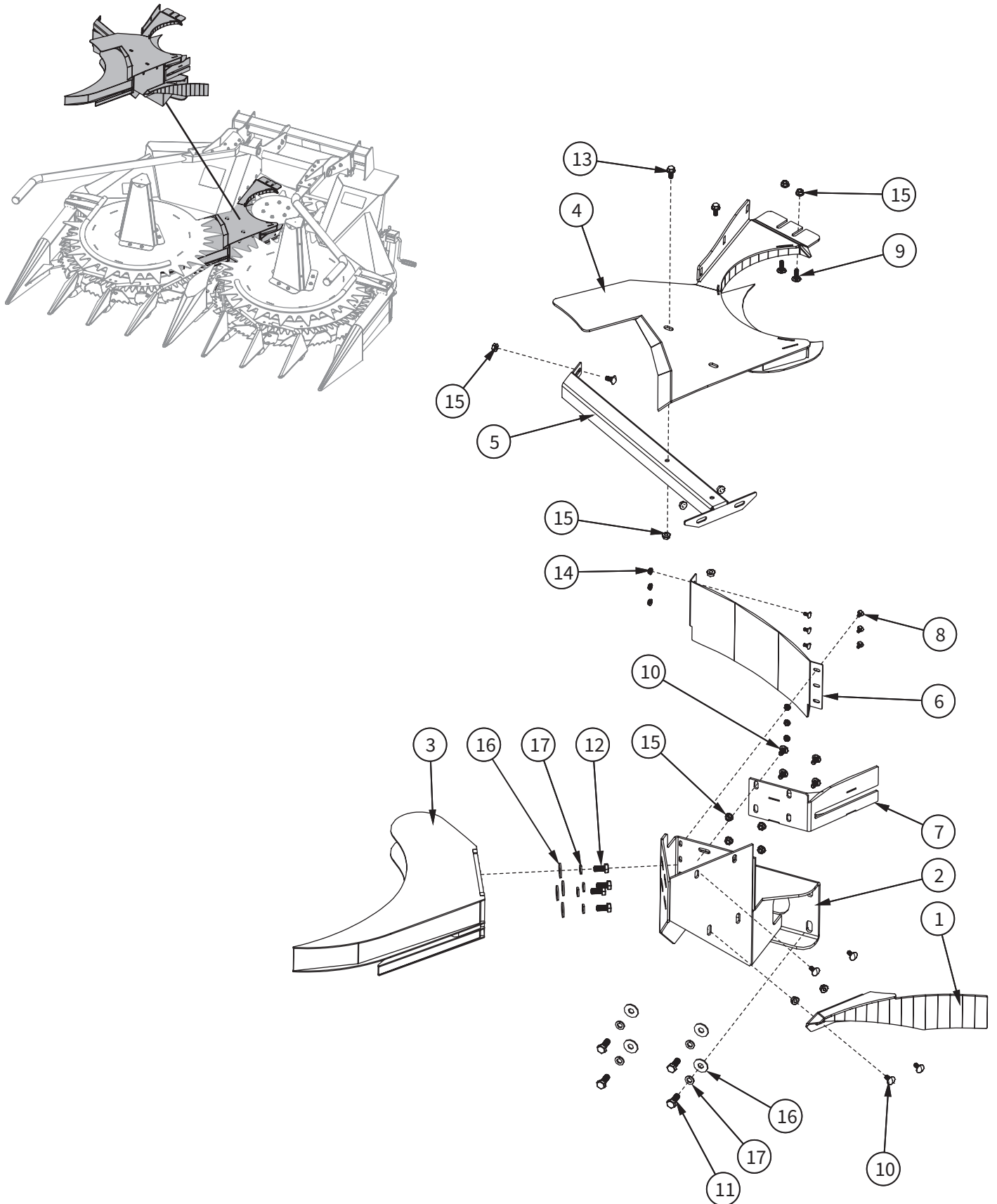
Figure 2 Skid Shoe and Jacks Assembly



**Figure 2 Skid Shoe and Jacks Parts List**

<b>Item</b>	<b>Part Number</b>	<b>Description</b>	<b>Quantity</b>
1	7048	Skid shoe	1
2	7031L	Left gearbox side bracket	2
3	7031R	Right gearbox side bracket	2
4	7055	Skid shoe extension	4
5	CS16x2x40G10.9	16mm x 2.0 x 40 Gr10.9 cap screw zinc	8
6	CS16x2x60G8.8	16mm x 2.0 x 60 Gr8.8 cap screw zinc	8
7	CS58x112G5	5/8" x 1 1/2" NC Gr5 cap screw zinc	4
8	CS58x312G5	5/8" x 3 1/2" NC Gr5 cap screw zinc	2
9	LN58S	5/8" lock nut zinc	6
10	LW16	16mm lock washer	16
11	RJ2001	1403 corn head jack	2

Figure 3 Center Tower Assembly

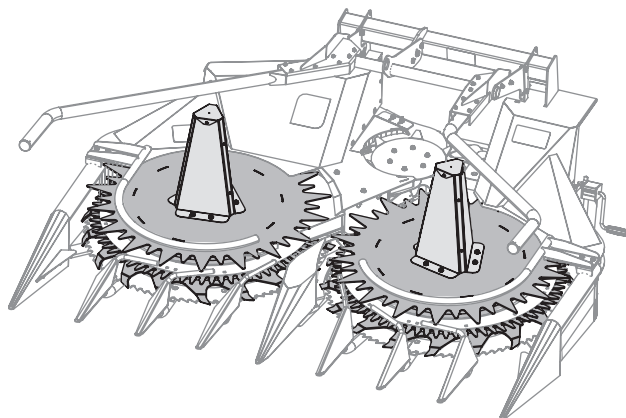
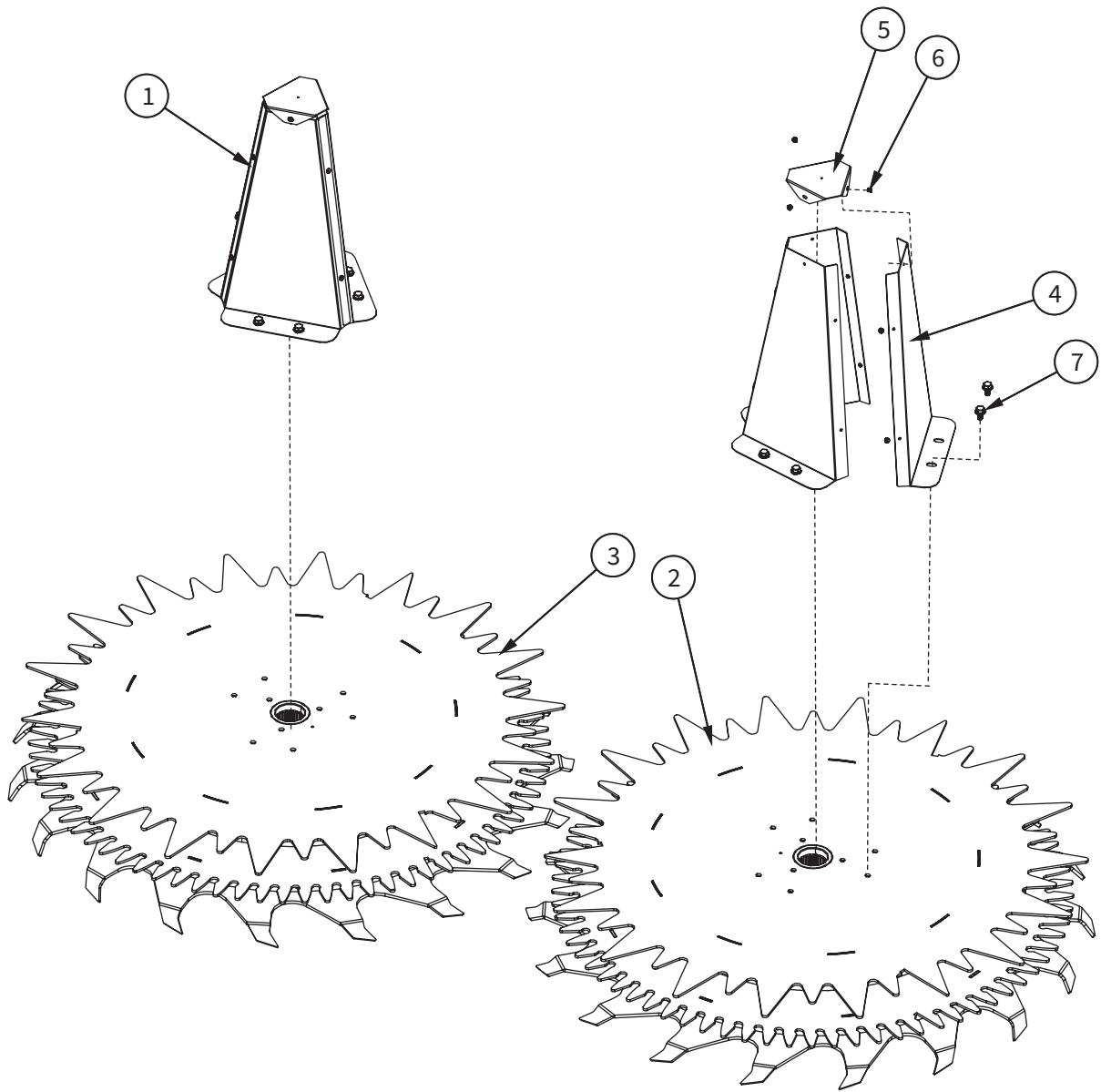




**Figure 3 Center Tower Parts List**

<b>Item</b>	<b>Part Number</b>	<b>Description</b>	<b>Quantity</b>
1	7013	Blade deflector	1
2	7027	Center cleaner mount	1
3	7030	Right cleaner	1
4	7033	Top plate stuffer cover	1
5	7059	Center cleaner brace	1
6	7072	Right rotor trash shield	1
7	7080	Front stuffer rotor cleaner	1
8	CB14x12	1/4" x 1/2" NC carriage bolt zinc	6
9	CB38x1	3/8" x 1" NC carriage bolt zinc	2
10	CB38x34	3/8" x 3/4" NC carriage bolt zinc	9
11	CS12x114G5	1/2" x 1 1/4" NC Gr5 cap screw zinc	4
12	CS12x1G5	1/2" x 1" NC Gr5 cap screw zinc	4
13	FB38x34G5	3/8" x 3/4" NC serrated flange bolt zinc	2
14	FN14	1/4" NC Serrated flange nut zinc	6
15	FN38	3/8" NC serrated flange nut zinc	13
16	FW12	1/2" flat washer	8
17	LW12	1/2" lock washer	8

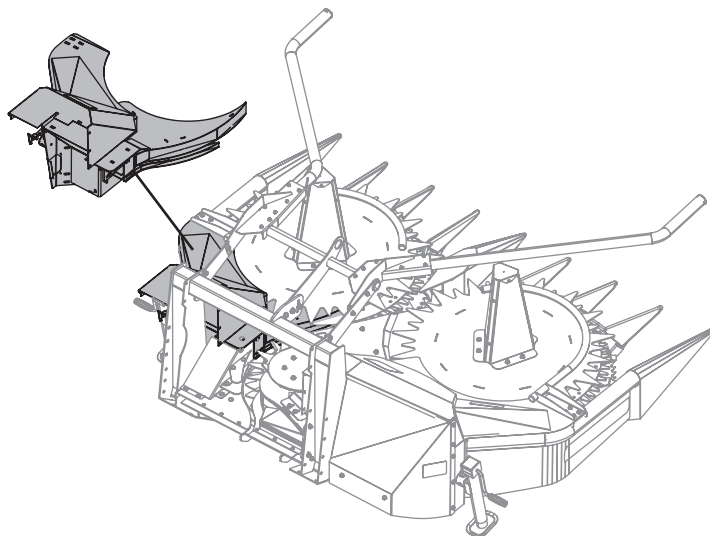
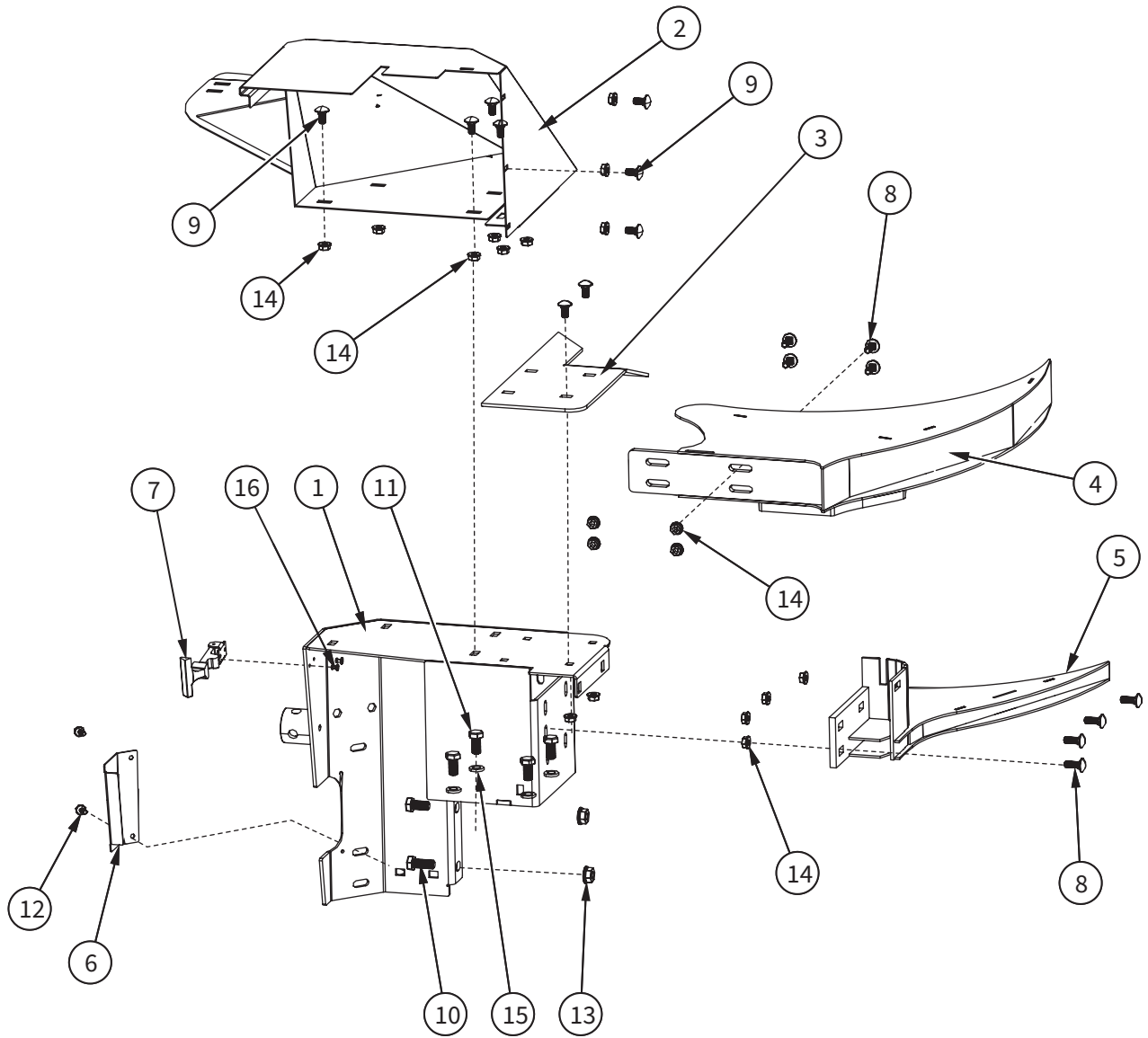
Figure 4 Rotors and Cones Assembly



**Figure 4 Rotors and Cones Parts List**

<b>Item</b>	<b>Part Number</b>	<b>Description</b>	<b>Quantity</b>
1	7051	Large rotor cone	2
2	7026L	Left large rotor	1
3	7026R	Right large rotor	1
4	7075	Large rotor cone side	6
5	7076	Cone cap	2
6	44445	3/16 x 1/8" stainless steel rivet	18
7	FB38x58G5	3/8" x 5/8 serrated flange bolt zinc	12

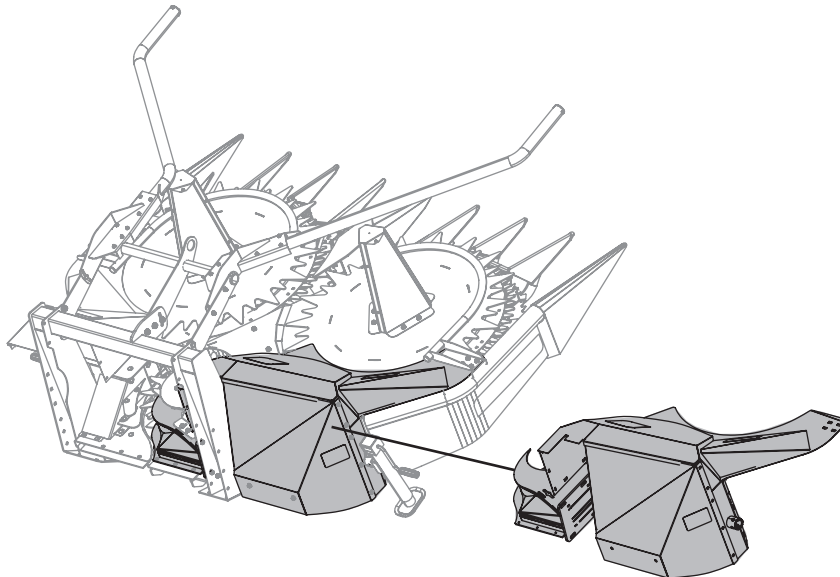
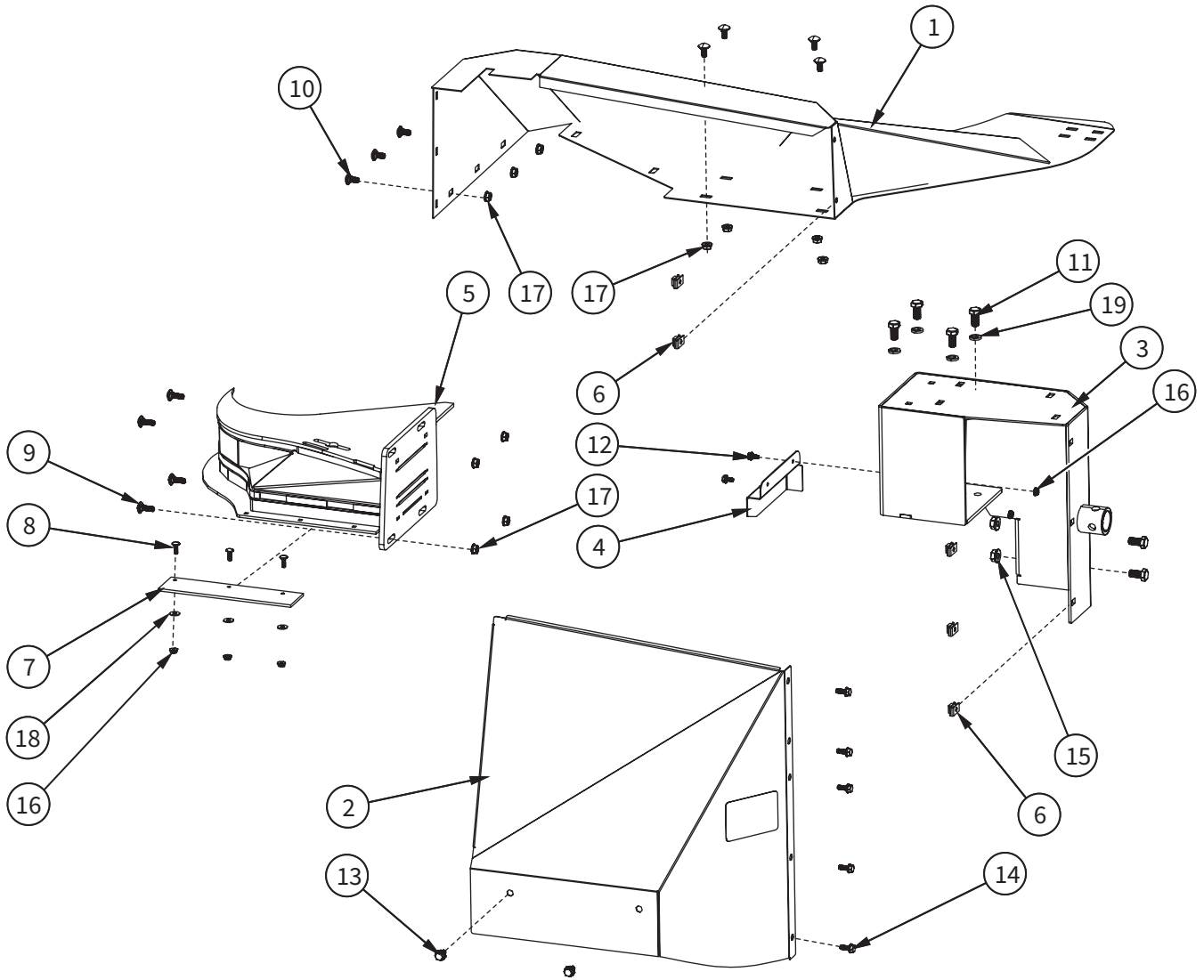
Figure 5 Left Tower and Cleaner Assembly



**Figure 5 Left Tower and Cleaner Parts List**

<b>Item</b>	<b>Part Number</b>	<b>Description</b>	<b>Quantity</b>
1	7039	Left tower	1
2	7046	Left shield	1
3	7111	Top cleaner plate	1
4	7029	Top left cleaner plate	1
5	7028	Left bottom rotor cleaner	1
6	7112	Door tab	1
7	HC371	Rubber latch	1
8	CB38x1	3/8" NC carriage bolt zinc	8
9	CB38x34	3/8" NC carriage bolt zinc	11
10	CS12x114G5	1/2 x 1 1/4" GR5 NC cap screw zinc	1
11	CS12x1G5	1/2 x 1" GR5 NC cap screw zinc	5
12	FB14x12G5	1/4" serrated flange bolt zinc	2
13	FN12	1/2" serrated flange nut zinc	2
14	FN38	3/8" serrated flange nut zinc	17
15	LW12	1/2" lock washer zinc	4
16	BTT64	3/16 x 1/4" stainless steel rivet	2

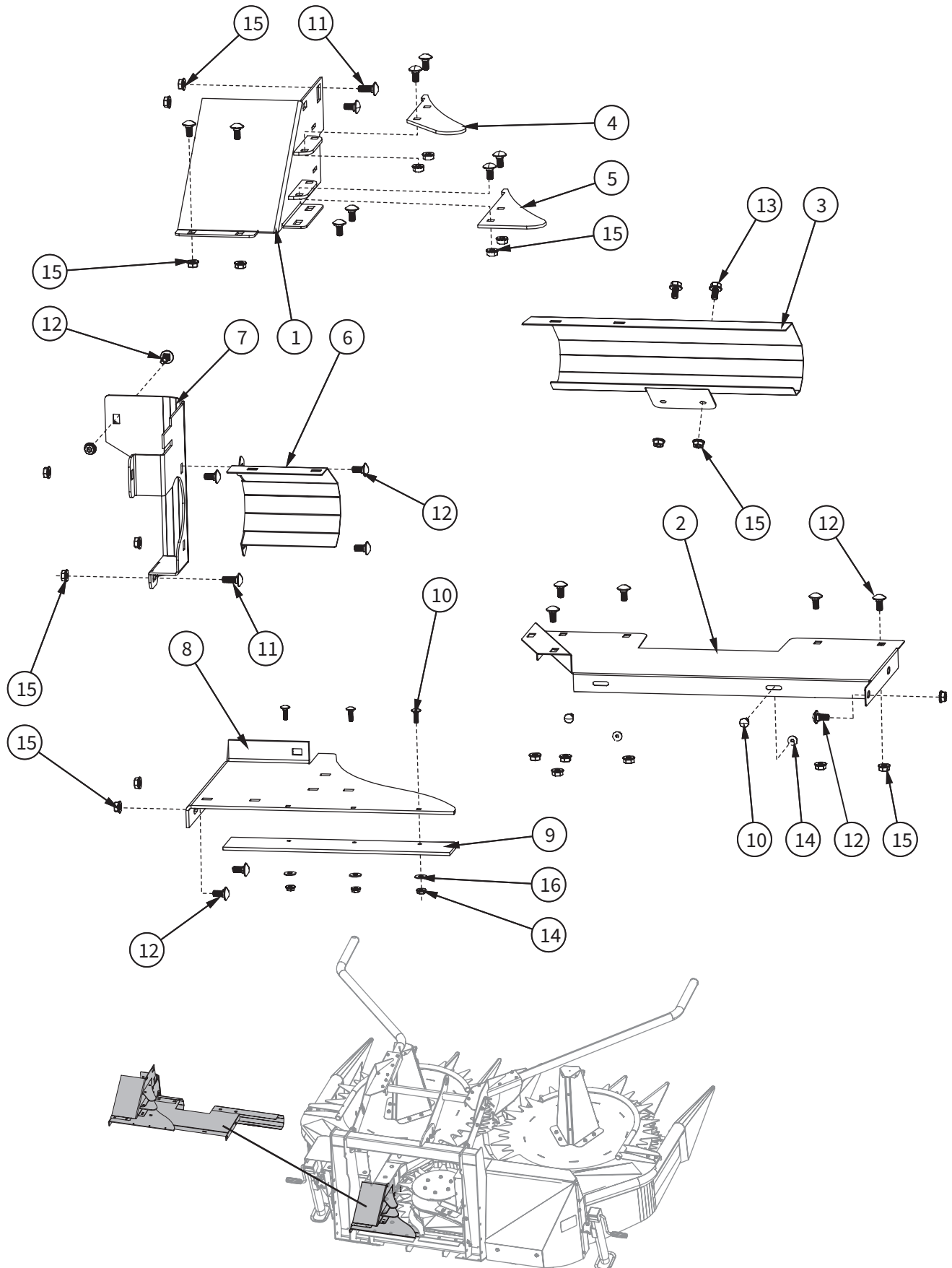
Figure 6 Right Tower and Stuffer Cleaner Assembly



**Figure 6 Right Tower and Stuffer Cleaner Parts List**

<b>Item</b>	<b>Part Number</b>	<b>Description</b>	<b>Quantity</b>
1	7047	Right side shield	1
2	7116	Rear right shield	1
3	7038	Right tower	1
4	7115	Shaft shield	1
5	7032	Stuffer cleaner	1
6	UN516	5/16-18 extruded U-nut	5
7	7138	Right rubber strip	1
8	CB14x34	1/4 x 3/4" carriage bolt zinc	3
9	CB38x1	3/8 x 1" NC carriage bolt zinc	4
10	CB38x34	3/8 x 3/4" NC carriage bolt zinc	7
11	CS12x1G5	1/2 x 1" Gr5 NC Cap screw zinc	6
12	FB14x12G5	1/4 x 1/2" serrated flange bolt zinc	2
13	FB38x58G5	3/8 x 5/8" serrated flange bolt zinc	2
14	FB516X34G5	5/16 x 3/4" serrated flange bolt zinc	5
15	FN12	1/2" serrated flange nut zinc	2
16	FN14	1/4" serrated flange nut zinc	5
17	FN38.	3/8" serrated flange nut zinc	11
18	FW14	1/4" flat washer	3
19	LW12.	1/2" lock washer zinc	4

Figure 7 Stuffer Ramp and Shaft Shields Assembly

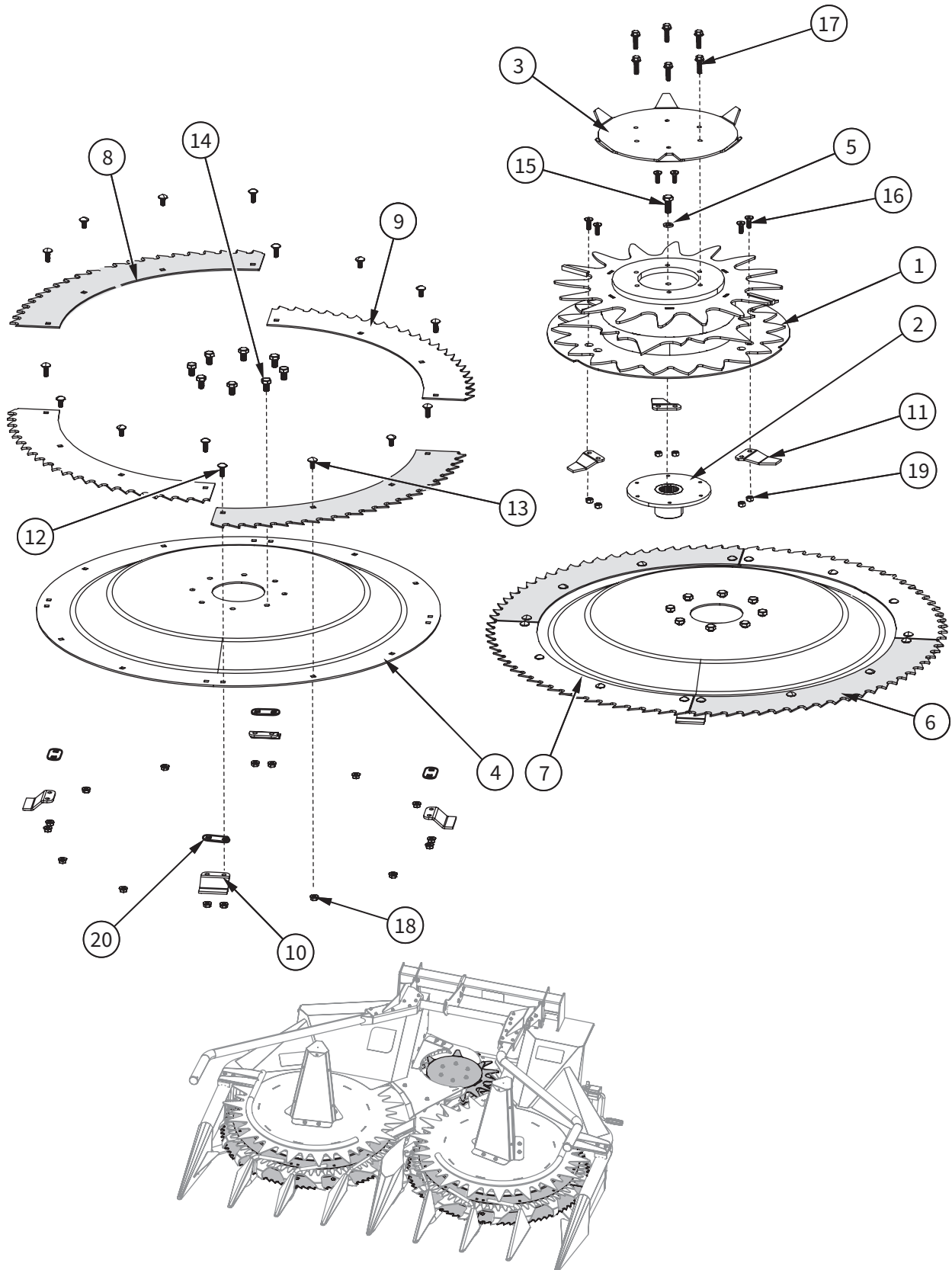




**Figure 7 Stuffer Ramp and Shaft Shields Parts List**

<b>Item</b>	<b>Part Number</b>	<b>Description</b>	<b>Quantity</b>
1	7036	Stuffer ramp	1
2	7113	Bottom floor	1
3	7114	Right shaft shield	1
4	7117	Stuffer ramp top deflector	1
5	7118	Stuffer ramp bottom deflector	1
6	7119	Left shaft shield	1
7	7120	Left shaft shield mount	1
8	7121	Rear floor	1
9	7137	Left rubber strip	1
10	CB14x34	1/4 x 3/4" NC carriage bolt zinc	5
11	CB38x1	3/8 x 1" NC carriage bolt zinc	2
12	CB38x34	3/8 x 3/4" NC carriage bolt zinc	21
13	FB38x58G5	3/8 x 5/8" serrated flange bolt zinc	2
14	FN14	1/4" serrated flange nut zinc	5
15	FN38	3/8" serrated flange nut zinc	25
16	FW14	1/4" flat washer	3

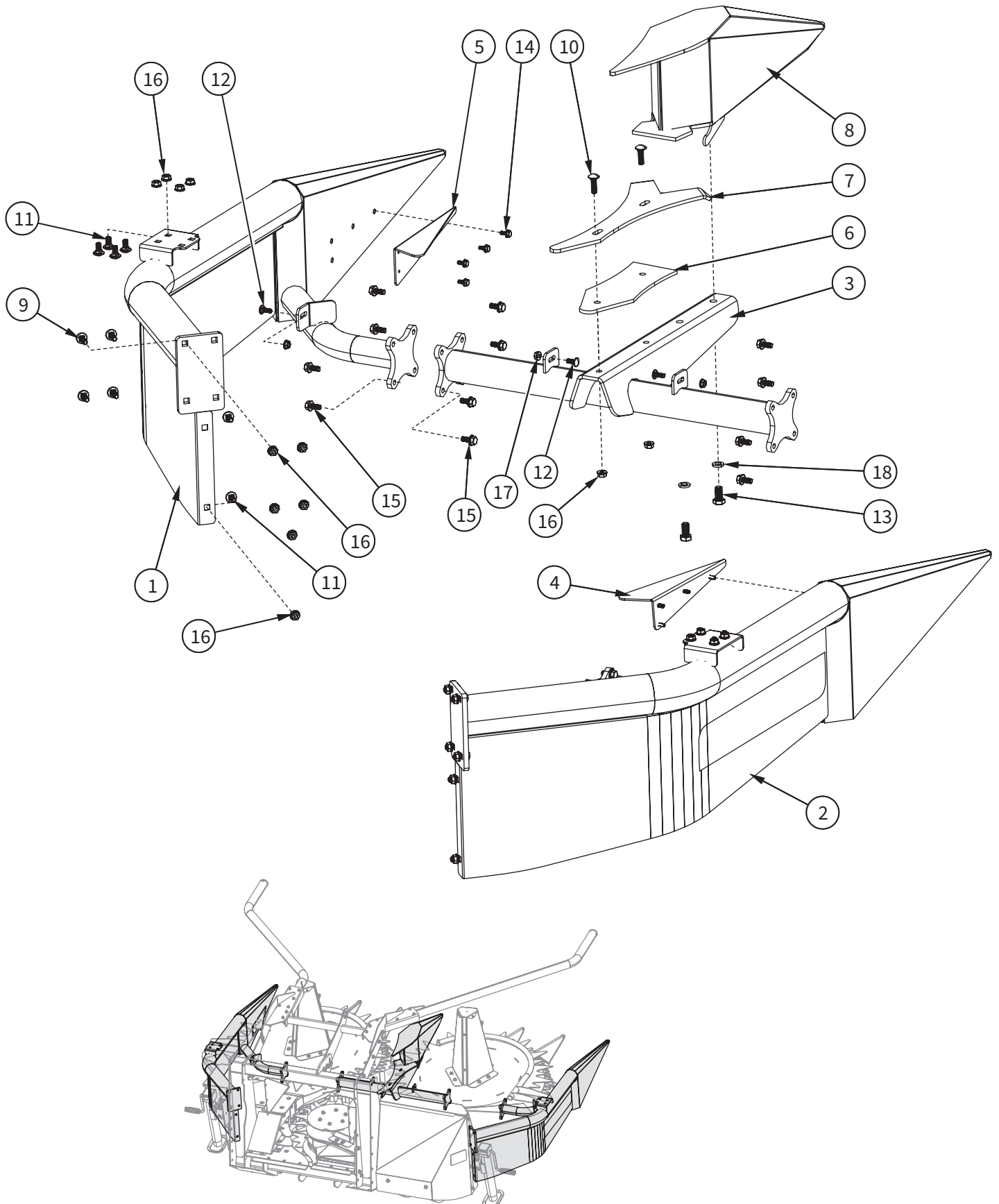
## Figure 8 Stuffer Rotor and Blades Assembly



**Figure 8 Stuffer Rotor and Blades Parts List**

<b>Item</b>	<b>Part Number</b>	<b>Description</b>	<b>Quantity</b>
1	7034	Stuffer rotor	1
2	7083	Stuffer splined hub	1
3	7122	Top stuffer fingers	1
4	7123	Formed blade rotor	2
5	LW12	1/2" lock washer zinc	1
6	7124B	Left blade black	2
7	7124Y	Left blade yellow	2
8	7125Y	Right blade yellow	2
9	7125B	Right blade black	2
10	7126	Large rotor blade wacker	8
11	7127	Stuffer drum wacker	3
12	CB38x1	3/8 x 1" NC carriage bolt zinc	16
13	CB38x34	3/8 x 3/4" NC carriage bolt zinc	16
14	CS12mmx20mm	12mm x 20mm cap screw	16
15	CS12x114G5	1/2 x 1 1/4" Gr5 NC cap screw	1
16	CS38x1	3/8 x 1" NC carriage bolt zinc	6
17	FB38x114G5	3/8 x 1 1/4" Serrated flange bolt zinc	6
18	FN38	3/8" flange nut zinc	32
19	LNS38S	3/8" Stover (steel) locknut zinc	6
20	7165	Wacker spacers	8

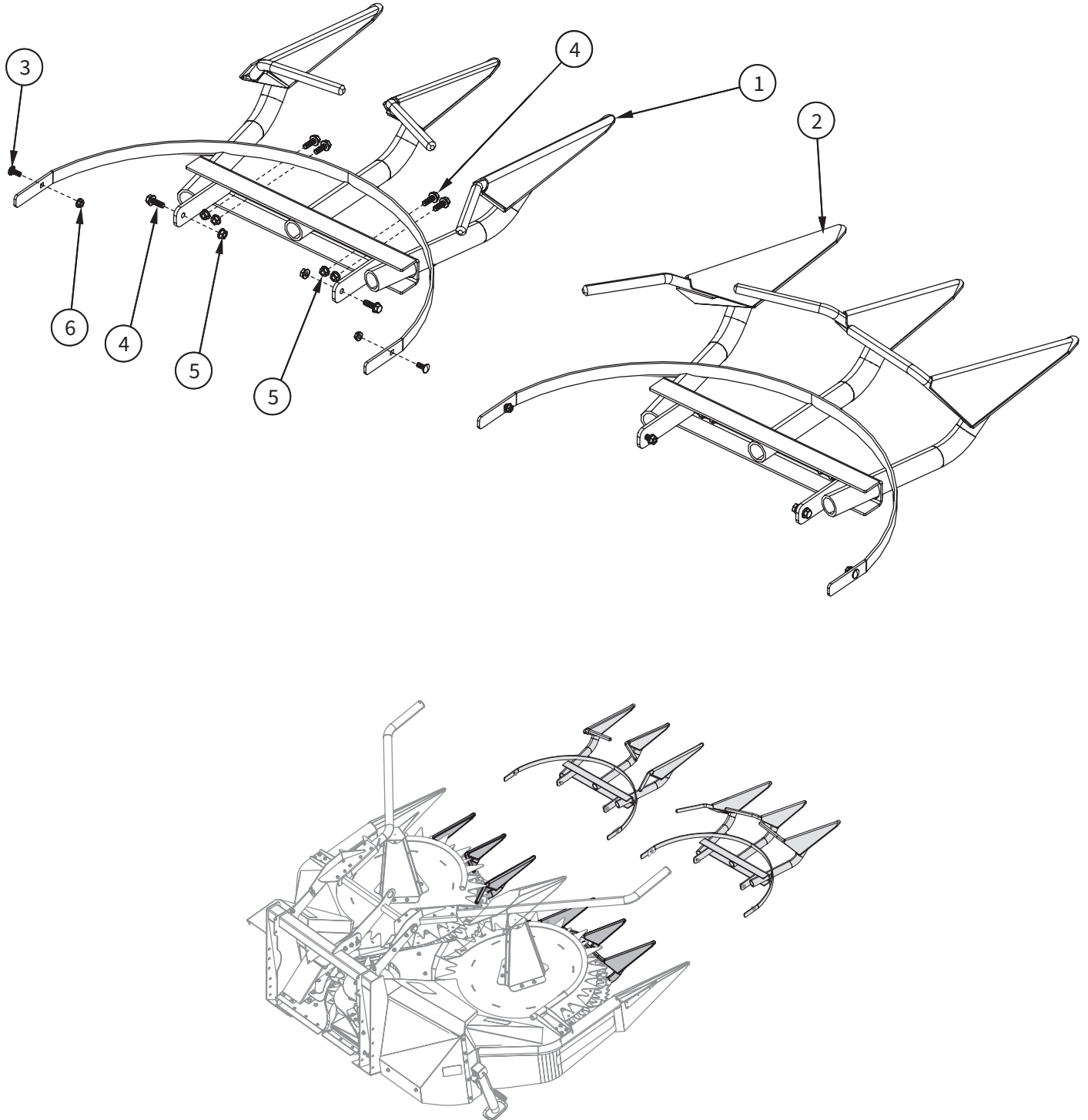
Figure 9 Snouts Assembly



**Figure 9 Snouts Parts List**

<b>Item</b>	<b>Part Number</b>	<b>Description</b>	<b>Quantity</b>
1	7020L	Left snout	1
2	7020R	Right snout	1
3	7024	Center snout mount	1
4	7128	Outside snout right side deflector	1
5	7129	Outside snout left side deflector	1
6	7130	Center snout extension	1
7	7131	Center blade cleaner	1
8	7021	Center snout	1
9	CB38x1	3/8 x 1" NC carriage bolt zinc	8
10	CB38x114	3/8 x 1 1/4" NC carriage bolt zinc	2
11	CB38x34	3/8 x 3/4" NC carriage bolt zinc	12
12	CB516x34	5/16 x 3/4" NC carriage bolt zinc	4
13	CS12x1G5	1/2 x 1" Gr5 NC cap screw	2
14	FB14x12G5	1/4 x 1/2" serrated flange bolt zinc	8
15	FB38x34G5	3/8 x 3/4" serrated flange bolt zinc	16
16	FN38	3/8" serrated flange nut	22
17	FN516	5/16" serrated flange nut	4
18	LW12	1/2" lock washer	2

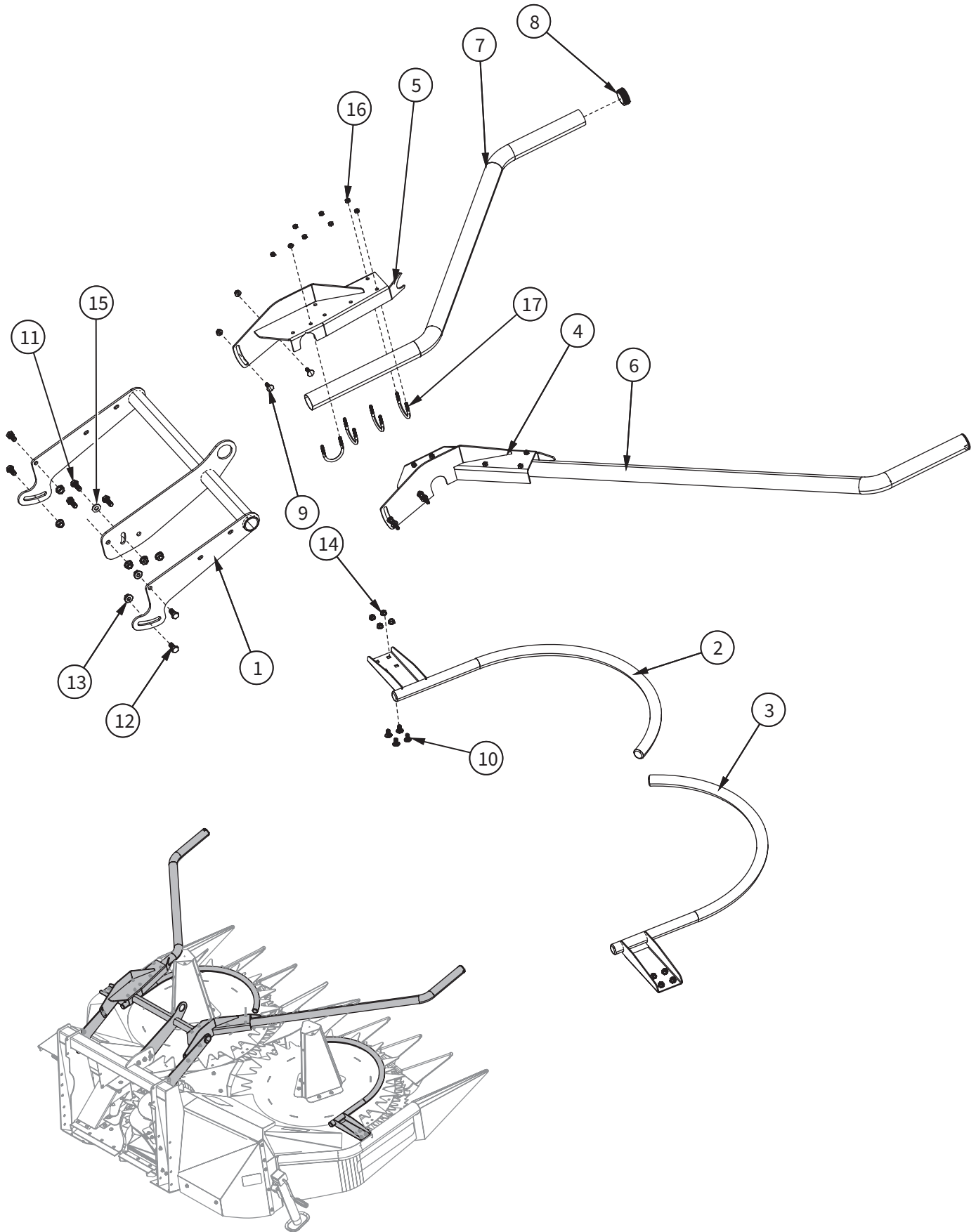
Figure 10 Noses Assembly



**Figure 10 Noses Parts List**

<b>Item</b>	<b>Part Number</b>	<b>Description</b>	<b>Quantity</b>
1	7022	Left row divider	1
2	7023	Right row divider	1
3	CB516x34	5/16 x 3/4" NC carriage bolt zinc	12
4	FB38x1G5	3/8 x 1" serrated flange bolt zinc	12
5	FN38	3/8" serrated flange nut zinc	4
6	FN516	5/16" serrated flange nut	4

Figure 11 Lift Hook and Cob Assembly

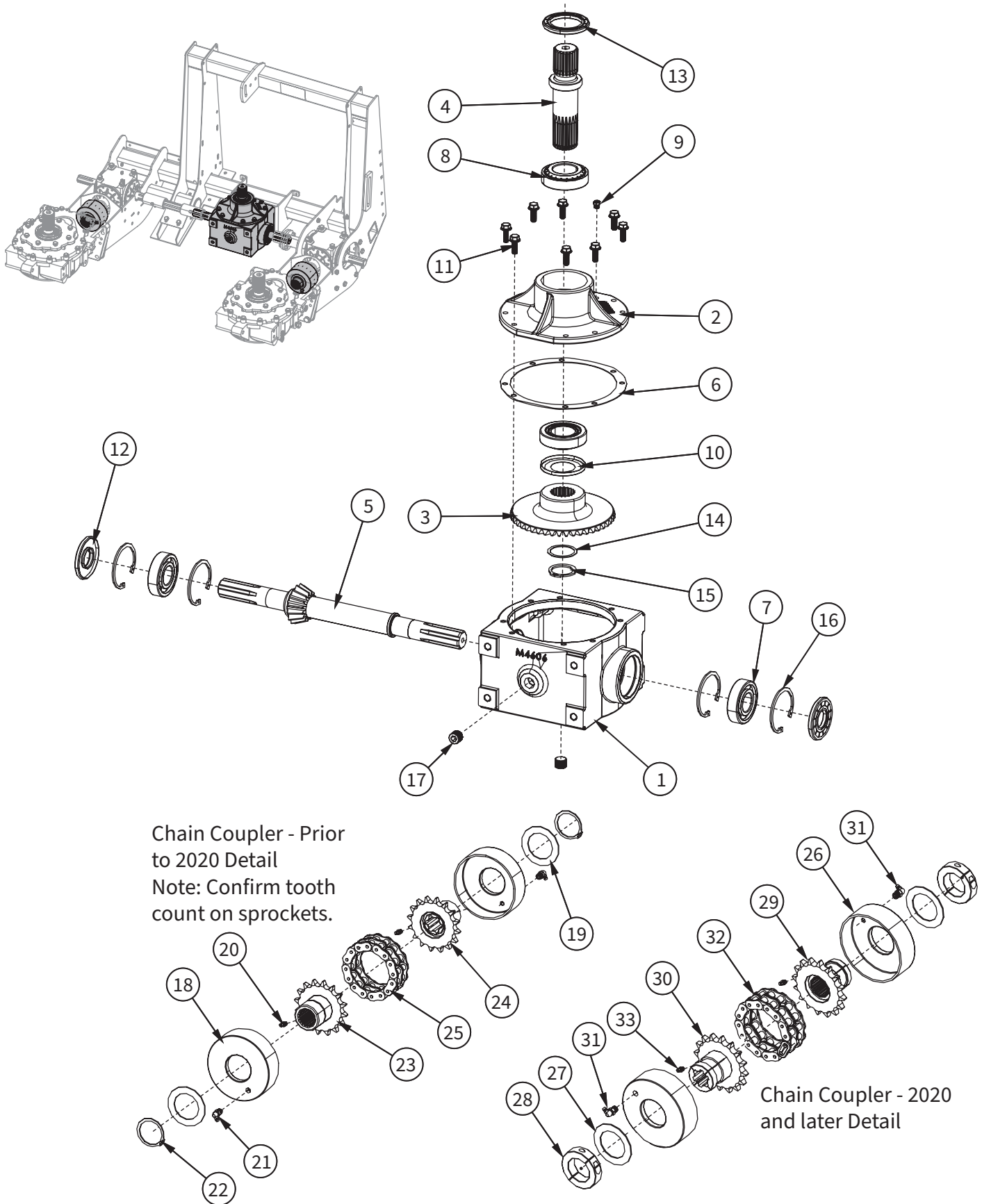




**Figure 11 Lift Hook and Cob Parts List**

<b>Item</b>	<b>Part Number</b>	<b>Description</b>	<b>Quantity</b>
1	7035	Lift hook	1
2	7045L	Left cob saver	1
3	7045R	Right cob saver	1
4	7049	Right crop guide bracket	1
5	7050	Left crop guide bracket	1
6	7132	Right side corn stalk guide	1
7	7133	Left side corn stalk guide	1
8	7007	Plastic plug	2
9	CB38x1	3/8 x 1" NC carriage bolt zinc	4
10	CB38x34	3/8 x 3/4" NC carriage bolt zinc	8
11	CS12x114G5	1/2 x 1 1/4" NC Gr5 cap screw zinc	3
12	CS12x1G5	1/2 x 1" NC Gr5 cap screw zinc	4
13	FN12	1/2" serrated flange nut zinc	7
14	FN38	3/8" serrated flange nut zinc	12
15	FW12SAE	1/2" SAE flat washer zinc	1
16	LN516S	5/16" stover (steel) locknut zinc	16
17	UB2X3516	2 x 3 5/16" u-bolt	8

**Figure 12 Stuffer Rotor Gearbox Assemblies**



**Figure 12 Stuffer Rotor Gearbox Parts List**

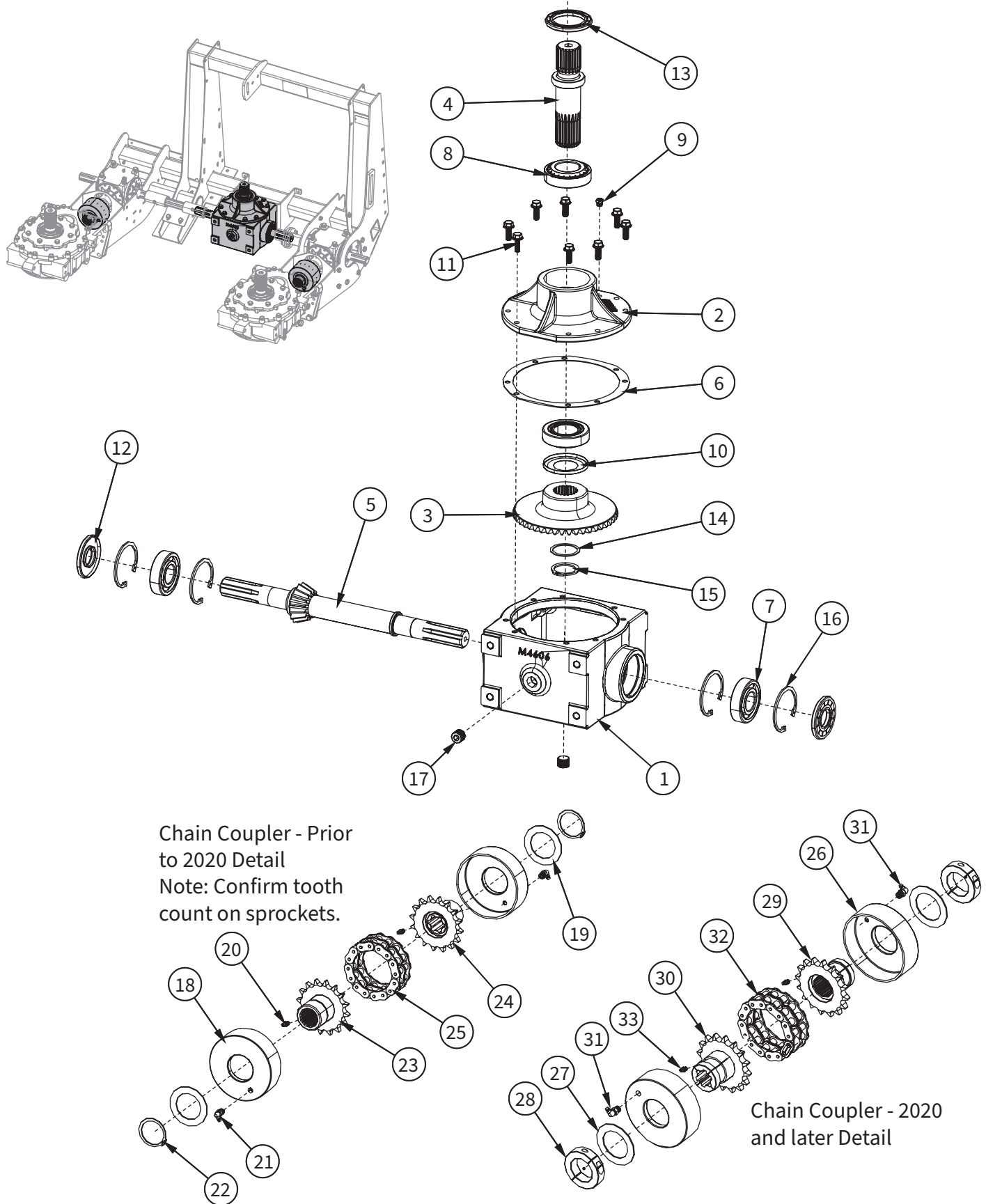
## Stuffer Rotor Gearbox

Item	Part Number	Description	Quantity
1	M4606	Stuffer gearbox casting	1
2	M4607	Gearbox cover	1
3	M4609	Bevel gear	1
4	M4603	Spline shaft	1
5	M4602	Shaft	1
6	HM-CH491	Gearbox shim	As req
7	BR6307	Bearing	2
8	32209	Taper roller bearing	2
9	BP300001	Breather plug	1
10	BRS32209AV	Nilos ring seal	1
11	FB38x1G5	3/8 x 1" NC Gr5 serrated flange bolt zinc	8
12	OS35X80X8	Shaft seal	2
13	OS65x85x8	Shaft seal	1
14	SH45x55x1	Steel shim	1
15	SR175x109	External snap ring	1
16	SR80x25	Internal snap ring	4
17	Z6336	1/2" male pipe plug	2

## Large Rotor Gearbox Chain Coupler from Page 5 - Prior to 2020

Item	Part Number	Description	Quantity
18	M4631	Chain coupler cover	2
19	MW2	Chain coupler washer	2
20	GF1008	Grease zerk	2
21	GF1010	Grease zerk	2
22	SR2x062	External snap ring	2
23	7019-21	21 spline coupler hub for chain coupler	1
24	7019-6	6 spline coupler hub for chain coupler	1
25	7011	60-2 roller chain assembly	1

Figure 12 Stuffer Rotor Gearbox Assemblies - Continued

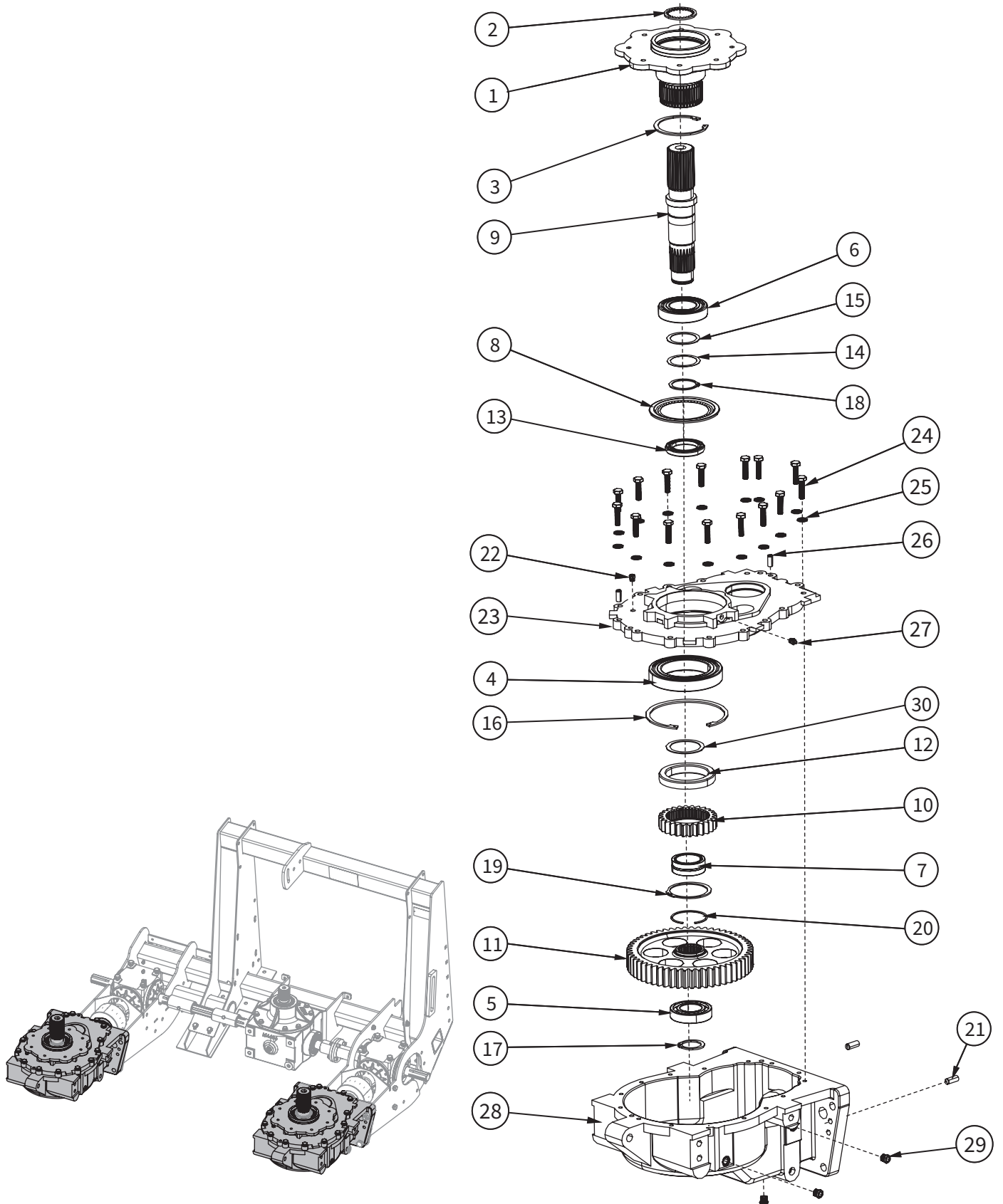


### Figure 12 Stuffer Rotor Gearbox Parts List - Continued

Large Rotor Gearbox Chain Coupler from Page 5 - 2020 and Later

Item	Part Number	Description	Quantity
26	M4631	Chain coupler cover	2
27	MW2	Chain coupler washer	2
28	DCS134	1 3/4" Collar	2
29	7019-21	21 spline coupler hub for chain coupler	1
30	7019-6	6 spline coupler hub for chain coupler	1
31	GF1010	Grease zerk	2
32	7011	60-2 roller chain assembly	1
33	GF1008	Grease zerk	2

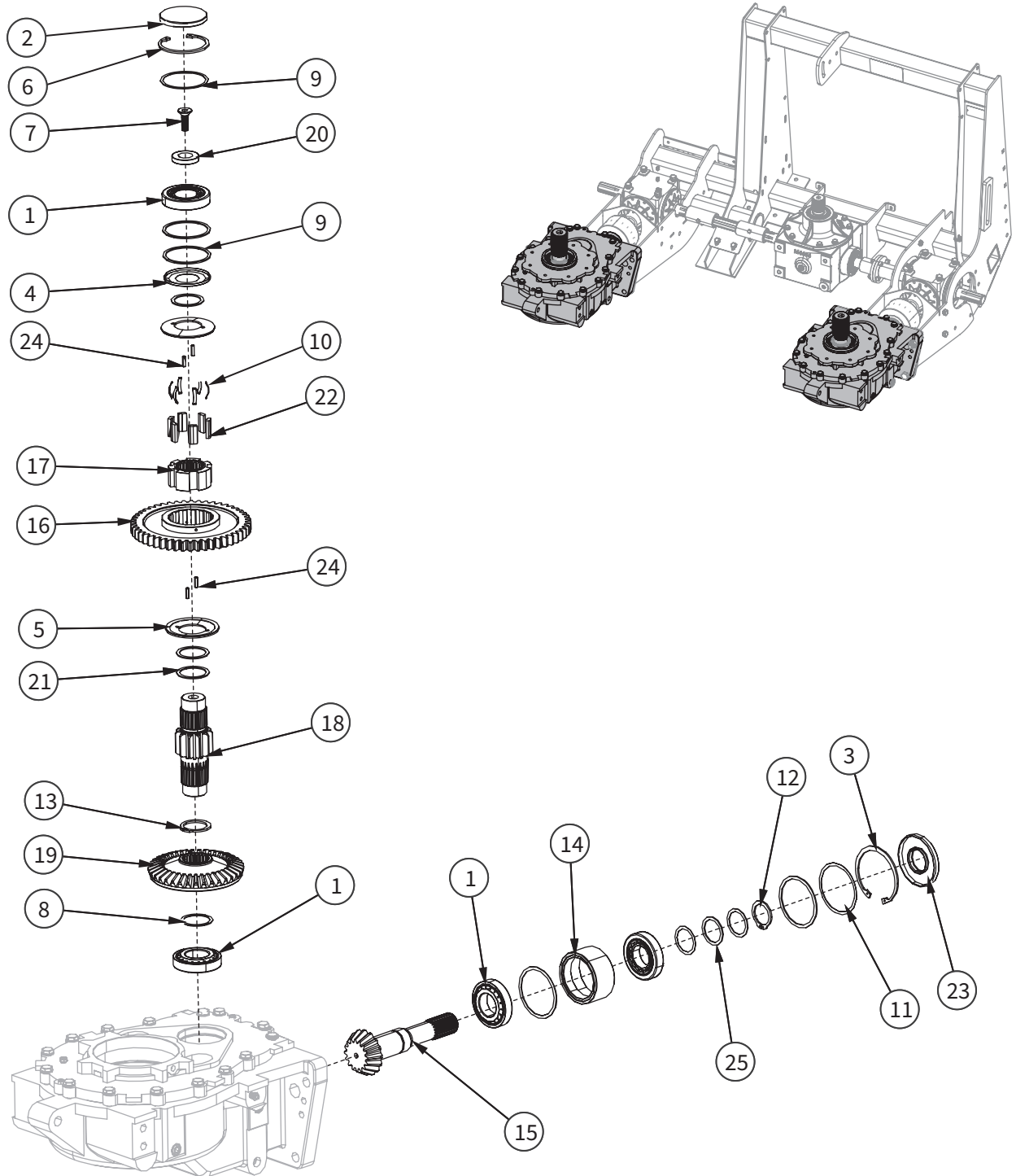
Figure 13 Large Rotor Gearbox Drive Assembly



**Figure 13 Large Rotor Gearbox Drive Parts List**

Item	Part Number	Description	Quantity
1	M4560	Rotor flange casting	1
2	7134	Steel shim washer	1
3	SR100x3	Internal retaining ring	1
4	6020	Radial ball bearing	1
5	BR6209	Radial ball bearing	1
6	6211	Radial ball bearing	1
7	BRNKI50-25	Needle bearing	1
8	BRS16020AV	Bearing seal/Nilos ring	1
9	M4576	Output shaft	1
10	M4577	Gear 26T	1
11	M4578	Gear 55T	1
12	M4579	Gear	1
13	OS21642	Oil seal 55 x 80 x 10	1
14	SH55x68x0.5	Steel shim washer	1
15	SH55x68x1	Steel shim washer	1
16	SR150x4	Internal retaining ring	1
17	SR175x109	Retaining ring	1
18	SR55x2	External retaining ring	1
19	SR85x3	External retaining ring	1
20	SRB70	Snap ring	1
21	DPM12x30	Metric dowel pin 12 x 30 MM	2
22	BP300001	Breather plug	1
23	M4558	Aluminum gearbox cover	1
24	CS10MMx40MM	M10 x 40MM cap screw	15
25	FWS10MM	10MM serrated washer	15
26	DPM10x24	Metric dowel pin 10 x 24MM	2
27	GF1011	Grease zerk	1
28	M4559	Gearbox casting	1
29	DP16x1.5mm	Magnetic drain plug	3
30	OR82	O-Ring 3.25" x 3.5" x 1/8"	1

Figure 14 Large Rotor Gearbox Input Side Assembly

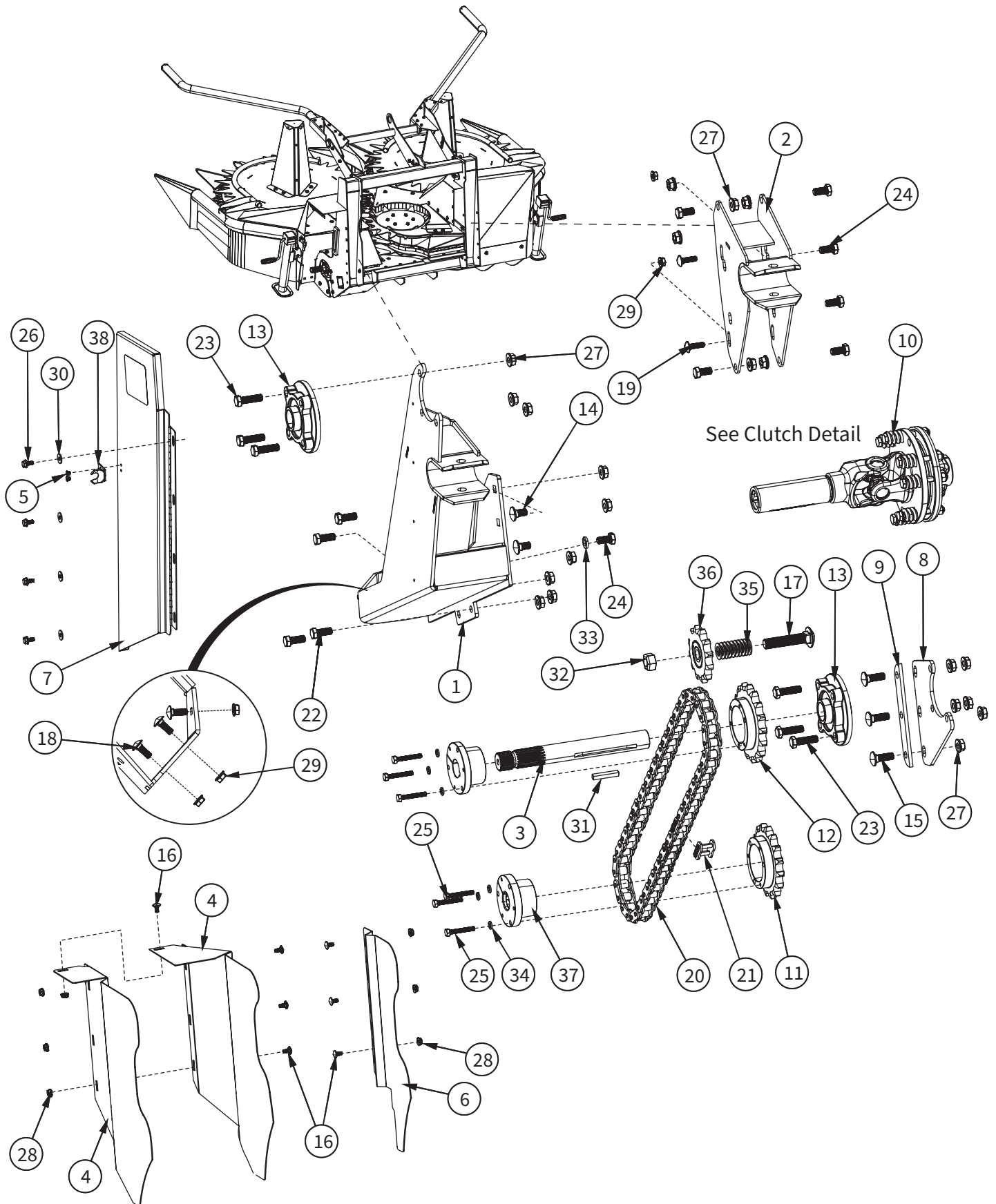




**Figure 14 Large Rotor Gearbox Input Side Parts List**

<b>Item</b>	<b>Part Number</b>	<b>Description</b>	<b>Quantity</b>
1	30208	Tapered roller bearing	3
2	VK80X8	End cap	1
3	SR90x3	Internal retaining ring	1
4	BRS30208AV	Bearing seal	1
5	BW46x90	Belleville washer	2
6	SR80x25	Internal retaining ring	1
7	CSM12x35AH	Countersunk screw	1
8	SH45x55x1	Steel shim washer	1
9	SH72x80x1	Steel shim washer	3
10	SPF125	Flat spring	6
11	SH80x90x0.3	Steel shim washer	3
12	SR40x275	External retaining ring	1
13	SR175x109	External snap ring	1
14	M4570	Bearing sleeve	1
15	M4571	Input shaft	1
16	M4572	Ratchet gear	1
17	M4573	Ratchet inner hub	1
18	M4574	Shaft	1
19	M4575	Bevel gear 37T	1
20	M4580	Countersunk washer	1
21	M4581	Steel shim washer	3
22	M4610	Ratchet finger	6
23	OS15944	Oil seal 40 x 90 x 10	1
24	RP5x18	Roll pin	4
25	SH40x50x0.5	Steel shim washer	3

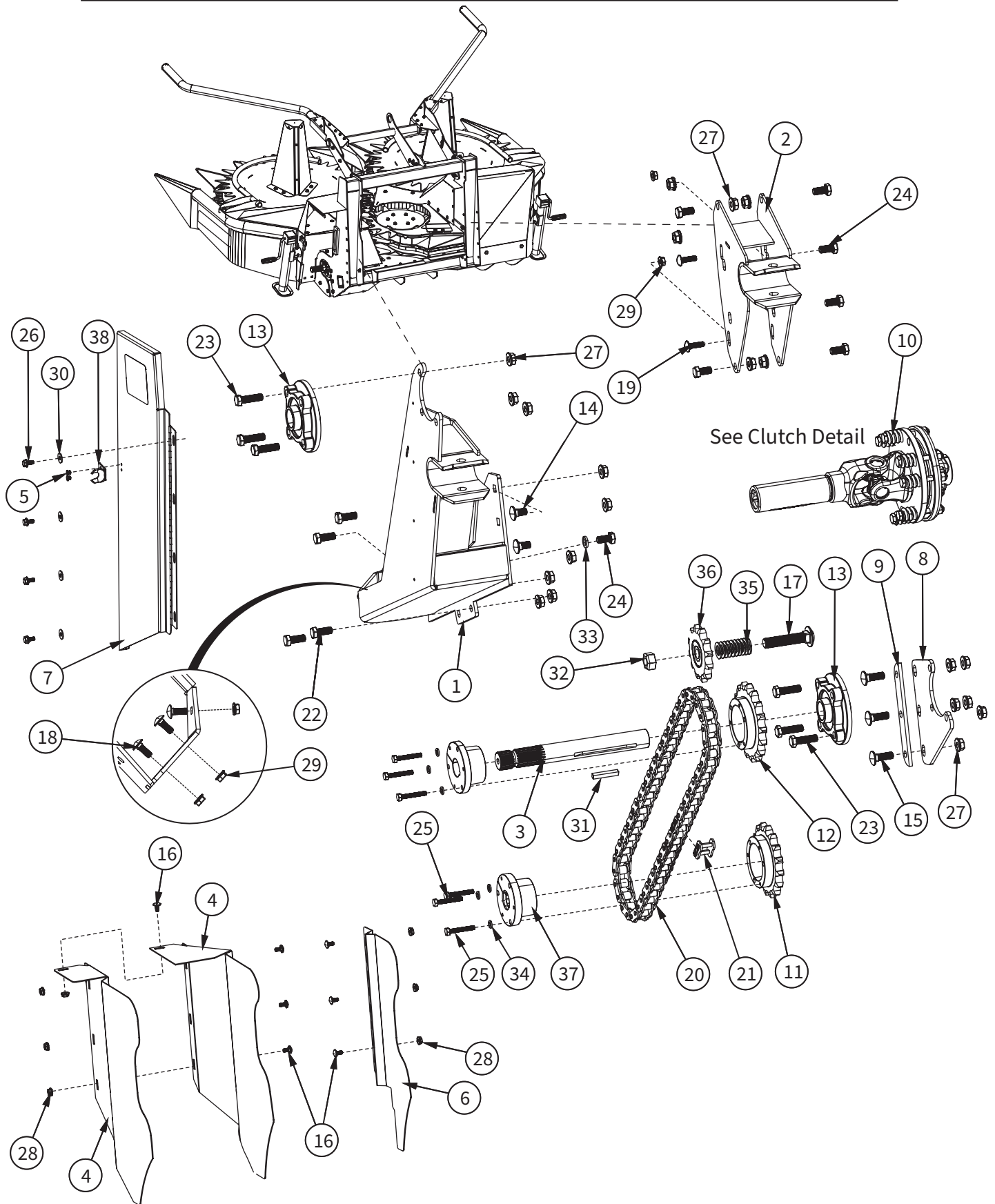
Figure 15 New Holland Mounts and Clutch Assembly



**Figure 15 New Holland Mounts and Clutch Parts List**

Item	Part Number	Description	Quantity
1	7040	Left mount	1
2	7041	Right mount	1
3	7052	Splined drive shaft	1
4	7063	Left deflector for NH230	1
	7064	Left deflector for NH240	1
5	44445	3/16 x 1/8" stainless steel rivet	2
6	7065	Right deflector	1
7	7073	NH door with hinge	1
8	7139	Drive shaft support bracket	1
9	7140	Drive shaft support spacer	1
10	921-27636	Clutch	1
11	SPR80SK16	Sprocket	1
12	SPR80SK17	Sprocket	1
13	BR2071384BSS	Bearing	2
14	CB12x1	1/2 x 1" NC carriage bolt zinc	2
15	CB12x112	1/2 x 1 1/2" NC carriage bolt zinc	3
16	CB14x12	1/4 x 1/2" NC carriage bolt zinc	7
17	CB34x312	3/4 x 3 1/2" NC carriage bolt zinc	1
18	CB38x1	3/8 x 1" NC carriage bolt zinc	3
19	CB38x114	3/8 x 1 1/4" NC carriage bolt zinc	2
20	7159	Drive chain	1
21	CL80	Chain connector	1
22	CS12x114G5	1/2 x 1 1/4" NC Gr5 cap screw zinc	4
23	CS12x134G5	1/2 x 1 3/4" NC G5 cap screw zinc	6
24	CS12x1G5	1/2 x 1" NC Gr5 cap screw zinc	7
25	CS516x2G8	5/16 x 2" NC Gr8 cap screw zinc	6
26	FB14x12G5	1/4 x 1/2" G5 NC serrated flange bolt zinc	4
27	FN12	1/2" flange nut zinc	21
28	FN14	1/4" flange nut zinc	7
29	FN38	3/8" flange nut zinc	5
30	FW14	1/4" flat washer zinc	4
31	KEY516x516x2	5/16 x 5/16 x 2" key	1
32	LN34S	3/4" lock nut	1
33	LW12	1/2" lock washer	1

Figure 15 New Holland Mounts and Clutch Assembly - Continued



**Figure 15 New Holland Mounts and Clutch Parts List - Continued**

34	LW516	5/16" lock washer	6
35	MW34	3/4" machinery washer	As req
36	SPR8012	Sprocket	1
37	BUSK138S	SK bushing 1 3/8" -6 spline	2
38	HC371	Rubber latch	1

New Holland Clutch

Item	Part Number	Description	Quantity
39	08-10721	Grease zerk	1
40	84060-0940	Yoke	1
41	45-26004	Yoke	1
42	04-32007	Bushing	1
43	520-4140	Friction disc	2
44	81213-0002	Clamp	1
45	20-20017	Inner pressure plate	1
46	11-20046	Bolt	8
47	11-20070	Bolt	2
48	11-30005	Nut	2
49	11-30010	Nut	8
50	11-40004	Lock washer	2
51	20-20018	Outer pressure plate	1
52	23-20117	Spring	8
53	03-28004	Cross bearing	4
54	24-15180	Retaining ring	4

Clutch Detail

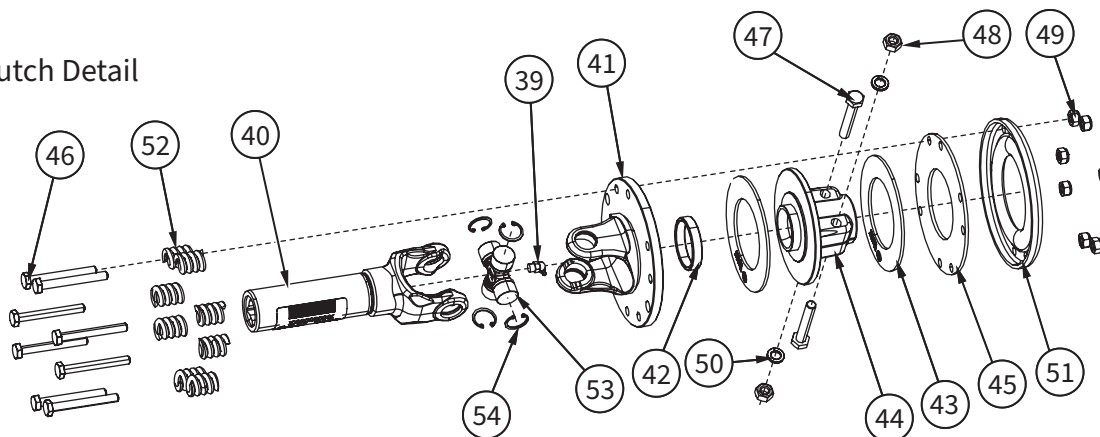
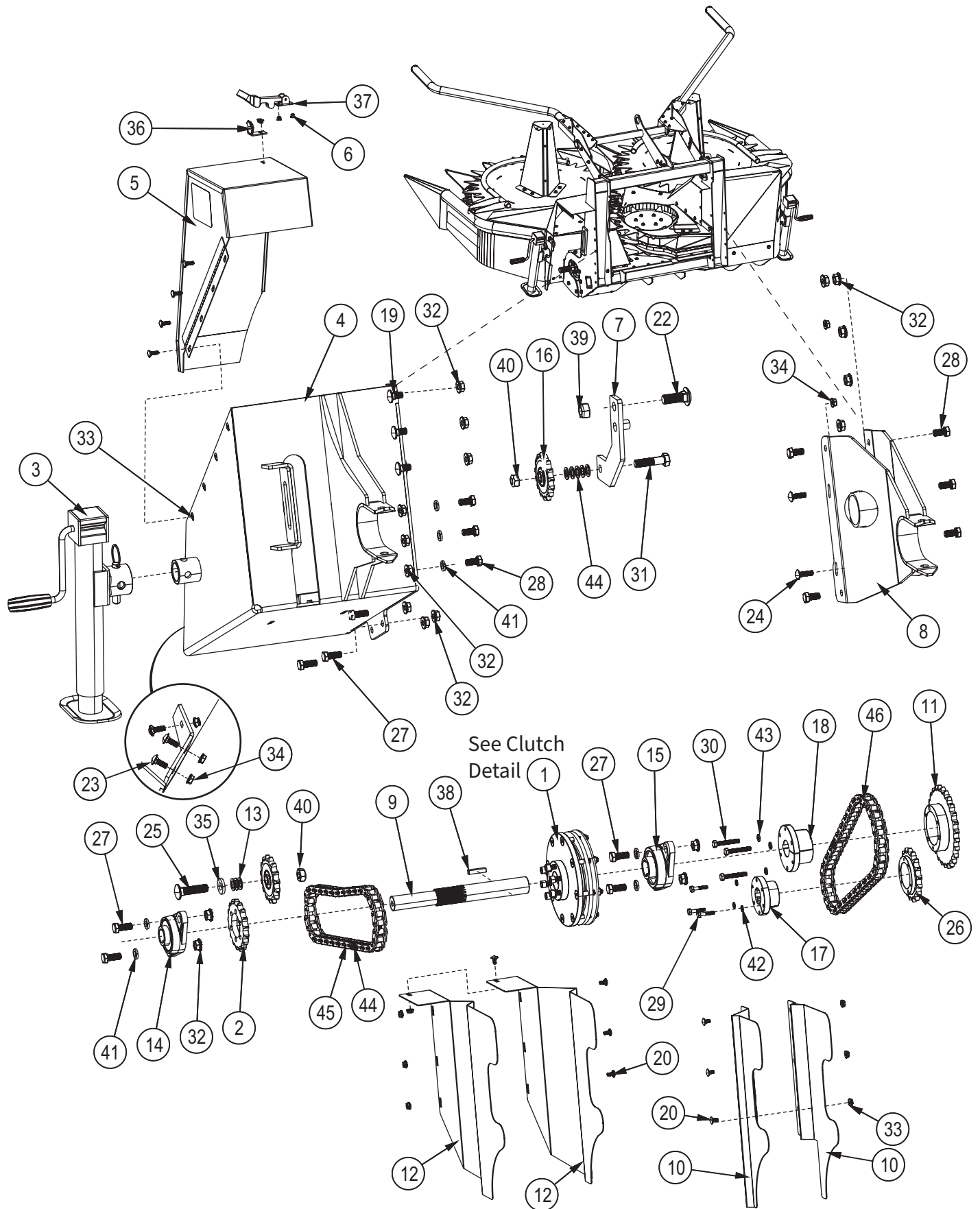


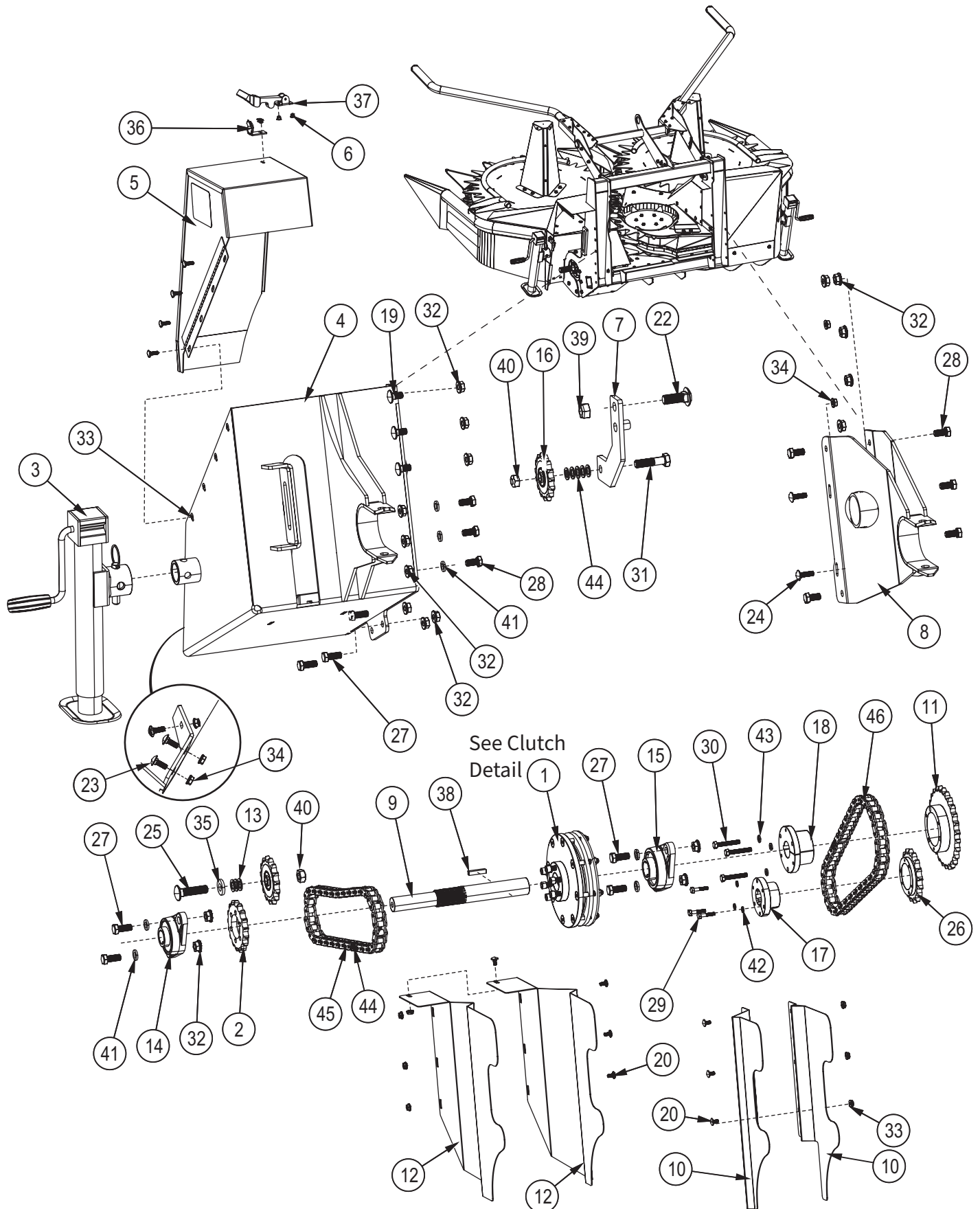
Figure 16 Gehl Mount Assembly



**Figure 16 Gehl Mount Parts List**

Item	Part Number	Description	Quantity
1	7078	Clutch	1
2	SPR6017C	Sprocket	1
3	RJ2001S	1403 corn head jack	1
4	7081	Left mount	1
5	7153	Gehl left shield	1
6	44445	3/16 x 1/8" stainless steel rivet	4
7	7152	Gehl chain tightener	1
8	7082	Right mount	1
9	7103	Gehl clutch jack shaft	1
10	7154	1285 right Gehl deflector	1
	7155	1085 right Gehl deflector	1
11	SPR60SK27	Sprocket	1
12	7156	1085 left Gehl deflector	1
	7157	1285 left Gehl deflector	1
13	MW58	5/8" machinery washer	As req
14	BR20613162B	Bearing	1
15	BR2071382B	Bearing	1
16	SPR6015	Sprocket	2
17	BUSD138S	SD bushing 1 3/8"-6 spline	1
18	BUSK138	SK 1 3/8" SK bushing	1
19	CB12x1	1/2 x 1" NC carriage bolt zinc	3
20	CB14x12	1/4 x 1/2" NC carriage bolt zinc	7
21	CB14x34	1/4 x 3/4" NC carriage bolt zinc	4
22	CB34X2	3/4 x 2" NC carriage bolt zinc	1
23	CB38x1	3/8 x 1" NC carriage bolt zinc	3
24	CB38x114	3/8 x 1 1/4" NC carriage bolt zinc	2
25	CB58x212	5/8 x 2 1/2" NC carriage bolt zin	1
26	SPR60SD17	Sprocket	1
27	CS12x114G5	1/2 x 1 1/4" NC Gr5 cap screw zinc	7
28	CS12x1G5	1/2 x 1" NC Gr5 cap screw zinc	8
29	CS14x114G8	1/4 x 1 1/4" NC Gr8 cap screw zinc	3
30	CS516x2G8	5/16 x 2" NC Gr8 cap screw zinc	3
31	CS58x212G5	5/8 x 2 1/2" NC Gr5 cap screw zinc	1
32	FN12	1/2" NC flange nut zinc	18

Figure 16 Gehl Mount Assembly - Continued





**Figure 16 Gehl Mount Assembly - Continued Parts List**

33	FN14	1/4" NC flange nut zinc	11
34	FN38	3/8" NC flange nut zinc	5
35	FW58G8SAEM	5/8" flat washer G8 SAEM	1
36	HC371	Rubber latch	1
37	HC371	Rubber latch	1
38	KEY516x516x112	5/16 x 5/16 x 1 1/2" key	1
39	LN34S	3/4" lock nut	1
40	LN58S	5/8" lock nut	2
41	LW12	1/2" lock washer	7
42	LW14	1/4" lock washer	3
43	LW516	5/16" lock washer	3
44	CL60H	Chain connector	2
45	7160	Chain	1
46	7161	Chain	1

Gehl Clutch

Item	Part Number	Description	Quantity
47	M4658	Outer clutch housing	1
48	SPR6017C	Sprocket 2" hub	1
49	M4669	Clutch sprocket spacer	1
50	CS38X112AHS	3/8 x 1 1/2" NC cap screw	6
51	CS38x214FH	3/8 x 2 1/4" NC cap screw	8
52	LN38S	3/8" lock nut	8
53	M4670	Clutch bushing (bronze)	1
54	HM-CH990	Clutch pressure plate	1
55	7106	Clutch spring washer	1
56	7105	Clutch disc	2
57	M4659	Clutch center hub	1

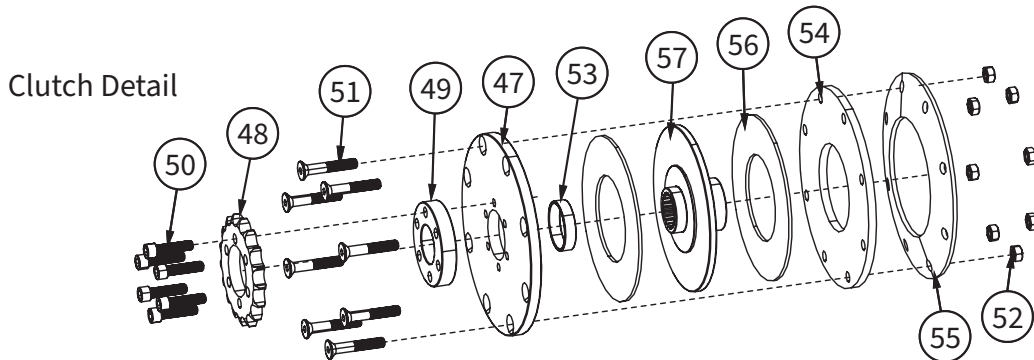


Figure 17 JD Mounts and Deflector Assembly

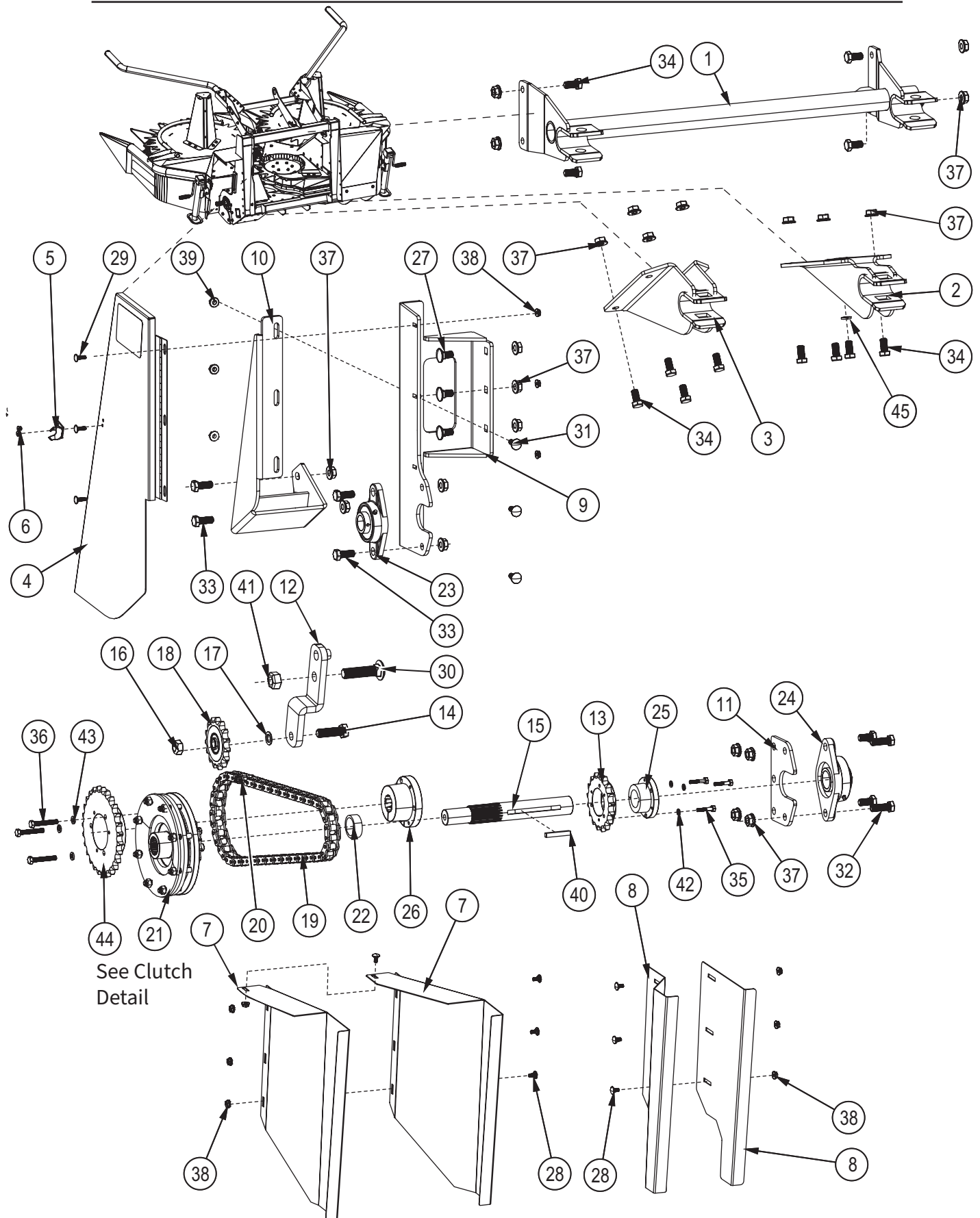
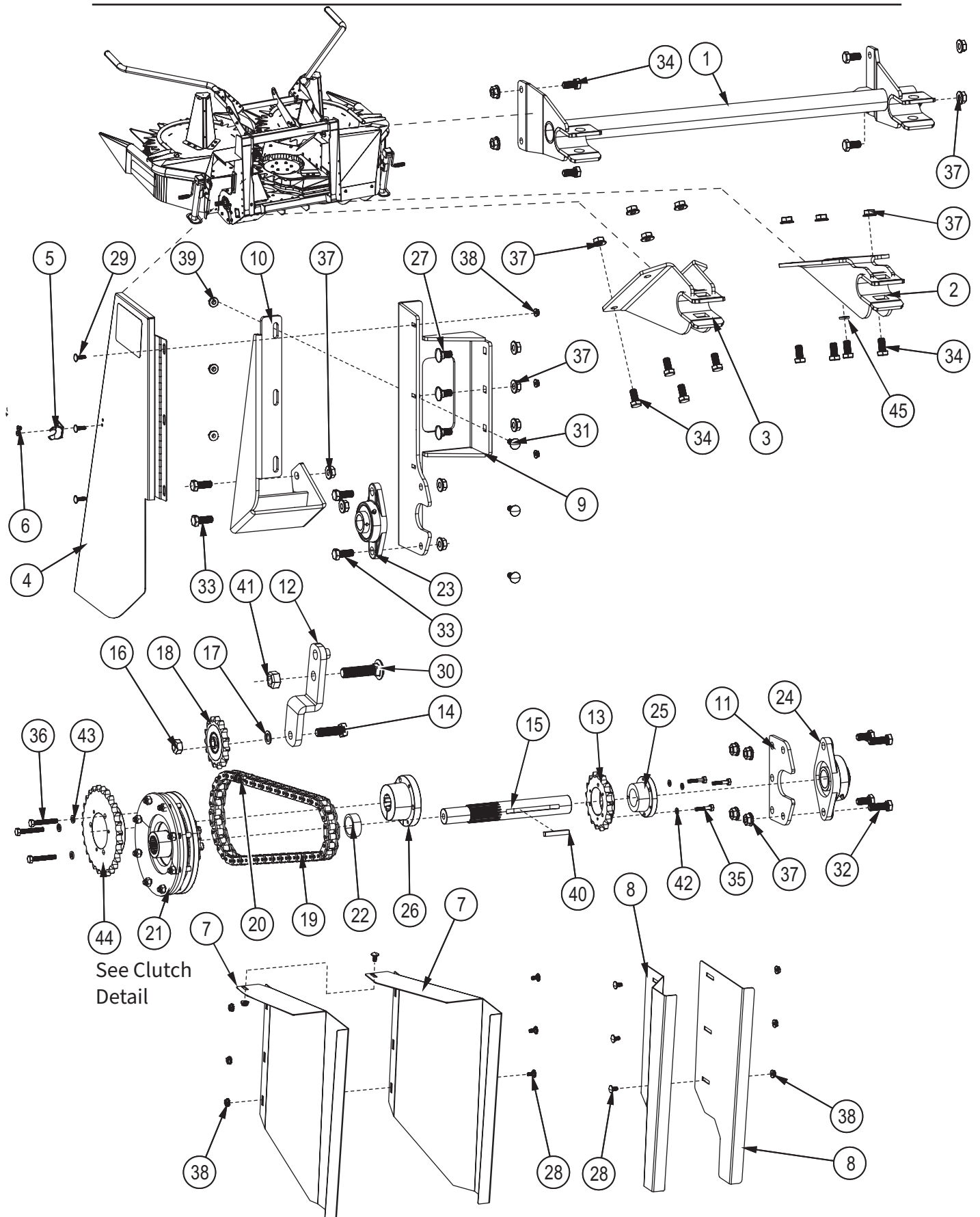


Figure 17 JD Mounts and Deflector Parts List

Item	Part Number	Description	Quantity
1	7042	Top mount	1
2	7043	Bottom right mount	1
3	7044	Bottom left mount	1
4	7054	JD shield door and hinge	1
5	HC371	Rubber latch	1
6	44445	3/16 x 1/8" stainless steel rivet	2
7	7057	JD left deflector (3950)	1
	7070	JD left deflector (3970)	1
8	7058	JD right deflector (3950)	1
	7071	JD right deflector (3970)	1
9	7066	JD door brace	1
10	7067	Lower left bearing brace	1
11	7068	Lower left bearing mount	1
12	7069	JD idler chain tightener	1
13	SPR60SD17	Sprocket	1
14	CS58x2G5	5/8 x 2" NC Gr5 cap screw zinc	1
15	7102	JD clutch shaft	1
16	LN58S	5/8" lock nut	1
17	MW58	5/8" machinery washer	1
18	SPR6015	Idler sprocket	1
19	7162	Drive chain	1
20	CL60H	Chain connector	1
21	7078	JD Clutch	1
22	7108	JD clutch spacer	1
23	BR20613162B	Bearing	1
24	BR2071382B	Bearing	1
25	BUSDS138	SDS 1 3/8" bushing	1
26	BUSK138S	SK bushing 1 3/8"-6 spline	1
27	CB12x1	1/4 x 1" NC carriage bolt	3
28	CB14x12	1/4 x 1/2" NC carriage bolt	7
29	CB14x34	1/4 x 3/4" NC carriage bolt	3
30	CB34x3	3/4 x 3" NC carriage bolt	1
31	CB38x1	3/8 x 1" NC carriage bolt	3
32	CS12x112G5	1/2 x 1 1/2" NC Gr5 cap screw zinc	2

Figure 17 JD Mounts and Deflector Assembly - Continued



**Figure 17 JD Mounts and Deflector Parts List - Continued**

33	CS12x114G5	1/2 x 1 1/4" NC Gr5 cap screw zinc	4
34	CS12x1G5	1/2 x 1" NC Gr5 cap screw zinc	14
35	CS14x114G8	1/4 x 1 1/4" NC Gr8 cap screw zinc	3
36	CS516x2G8	5/16 x 2" NC Gr8 cap screw zinc	3
37	FN12	1/2" NC flange nut zinc	22
38	FN14	1/4" NC flange nut zinc	10
39	FN38	3/8" NC flange nut zinc	3
40	KEY516x516x2	5/16 x 5/16 x 2" key	1
41	LN34S	3/4" lock nut	1
42	LW14	1/4" lock washer	3
43	LW516	5/16" lock washer	3
44	SPR60SK27	Sprocket	1
45	LW12	1/2" lock washer	1

JD Clutch

Item	Part Number	Description	Quantity
45	7105	Clutch disc	2
46	7106	Clutch spring washer	1
47	CS38X112AHS	3/8 x 1 1/2" NC cap screw	6
48	CS38x214FH	3/8 x 2 1/4" NC cap screw	8
49	HM-CH990	Clutch pressure plate	1
50	LN38S	3/8" lock nut	8
51	M4658	Outer clutch housing	1
52	M4659	Clutch center hub	1
53	M4669	Clutch sprocket spacer	1
54	SPR6017C	Sprocket	1
55	M4670	Clutch bushing (bronze)	1

Clutch Detail

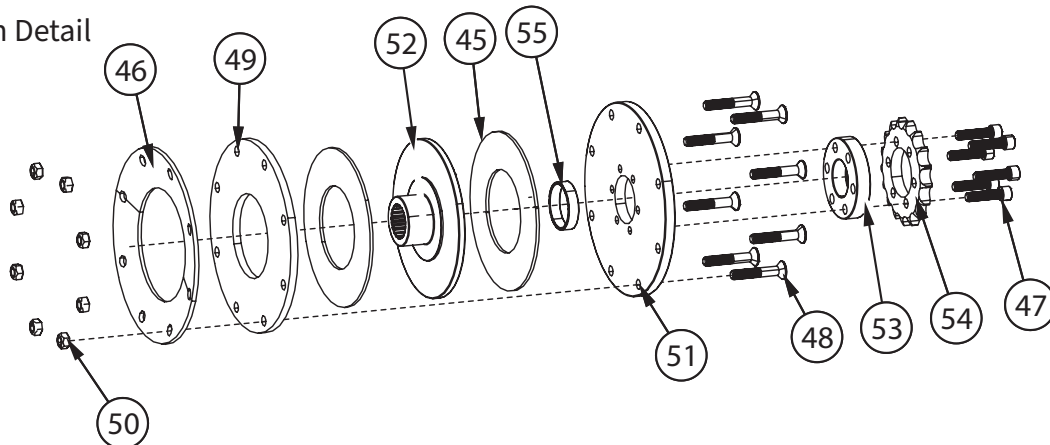
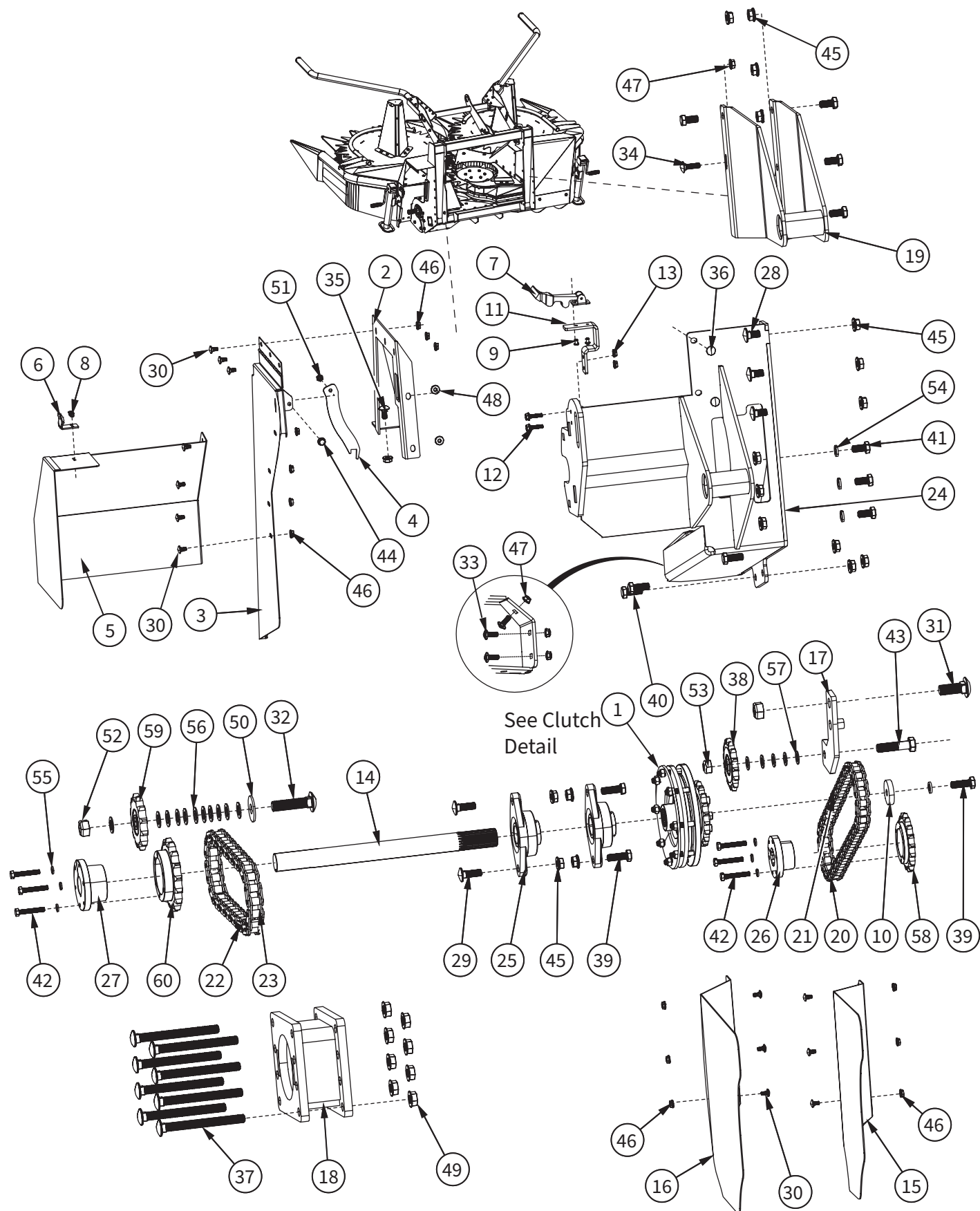


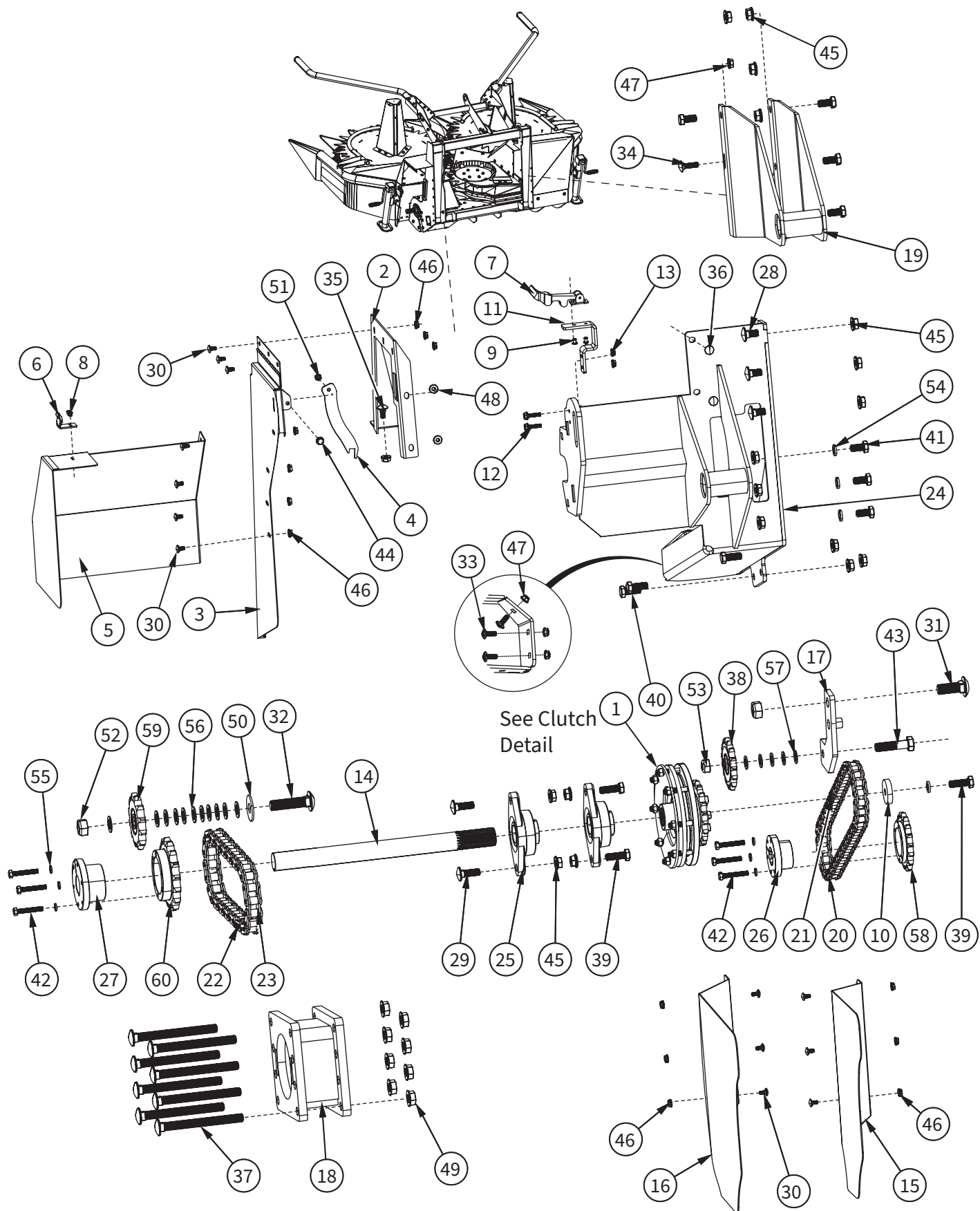
Figure 18 Dion Mounts and Deflector Assembly



**Figure 18 Dion Mounts and Deflector Parts List**

<b>Item</b>	<b>Part Number</b>	<b>Description</b>	<b>Quantity</b>
1	7078	Clutch	1
2	7144	Dion right shield mount	1
3	7145	Dion right shield	1
4	7146	Dion right shield prop	1
5	7147	Dion right chain shield	1
6	HC371	Rubber latch	1
7	HC371	Rubber latch	1
8	44445	3/16 x 1/8" stainless steel rivet	2
9	BTT64	3/16 x 1/4" stainless steel rivet	2
10	7151	Heavy clutch washer	1
11	7158	Dion left shield mount	1
12	FB14X1G5	1/4 x 1" G5 serrated flange bolt zinc	2
13	FN14	1/4" Serrated flange nut zinc	2
14	7101	Dion clutch jack shaft	1
15	7148	Dion right deflector	1
16	7149	Dion left deflector	1
17	7150	Dion right chain tightener	1
18	7086	Dion axle extension	1
19	7087	Dion right mount	1
20	7163	Drive chain	1
21	CL60H	Chain connector	1
22	CL80	Chain connector	1
23	7164	Drive chain	1
24	7085	Dion left mount	1
25	BR2071382B	Bearing	2
26	BUSD138S	SD bushing 1 3/8"-6 spline	1
27	BUSK138	SK 3/8" SK bushing	1
28	CB12x1	1/2 x 1" NC carriage bolt	3
29	CB12x112	1/2 x 1 1/2" NC carriage bolt	2
30	CB14x12	1/4 x 1/2" NC carriage bolt	13
31	CB34X2	3/4 x 2" NC carriage bolt	1
32	CB34x3	3/4 x 3" NC carriage bolt	1
33	CB38x1	3/8 x 1" NC carriage bolt	3
34	CB38x114	3/8 x 1 1/4" NC carriage bolt	1

Figure 18 Dion Mounts and Deflector Assembly - Continued

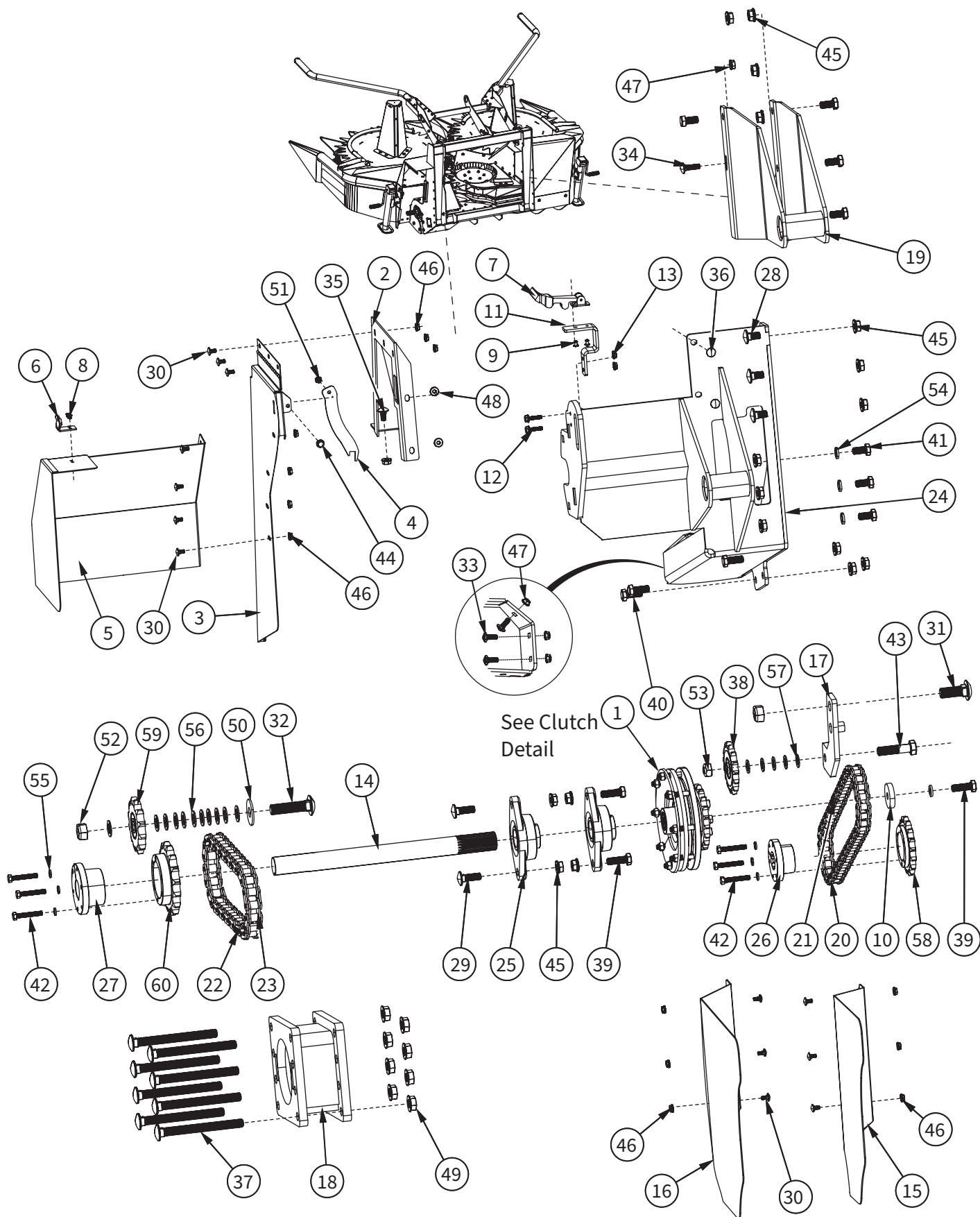




**Figure 18 Dion Mounts and Deflector Parts List - Continued**

35	CB38x34	3/8 x 3/4" NC carriage bolt	1
36	CB516x34	5/16 x 3/4" NC carriage bolt	2
37	CB58X612G8	5/8 x 6 1/2" NC G8 carriage bolt	8
38	SPR6015	Idler Sprocket	1
39	CS12x112G5	1/2 x 1 1/2" NC Gr5 cap screw zinc	3
40	CS12x114G5	1/2 x 1 1/4" NC Gr5 cap screw zinc	3
41	CS12x1G5	1/2 x 1" NC Gr5 cap screw zinc	7
42	CS516x2G8	5/16 x 2" NC Gr8 cap screw zinc	6
43	CS58x212G5	5/8 x 2 1/2" NC Gr5 cap screw zinc	1
44	FB14x12G5	1/4 x 1/2" G5 serrated flange bolt zinc	1
45	FN12	1/2" Serrated flange nut zinc	17
46	FN14	1/4" Serrated flange nut zinc	13
47	FN38	3/8" Serrated flange nut zinc	5
48	FN516	5/16" Serrated flange nut zinc	2
49	FN58	5/8" Serrated flange nut zinc	8
50	FW34	3/4" flat washer zinc	1
51	LN14S	1/4" lock nut	1
52	LN34S	3/4" lock nut	2
53	LN58S	5/8" lock nut	1
54	LW12	1/2" lock washer	4
55	LW516	5/16" lock washer	6
56	MW34	3/4" machinery washer	As req
57	MW58	5/8" machinery washer	5
58	SPR60SD17	Sprocket	1
59	SPR8012	Sprocket	1
60	SPR80SK16	Sprocket	1

Figure 18 Dion Mounts and Deflector Assembly - Continued

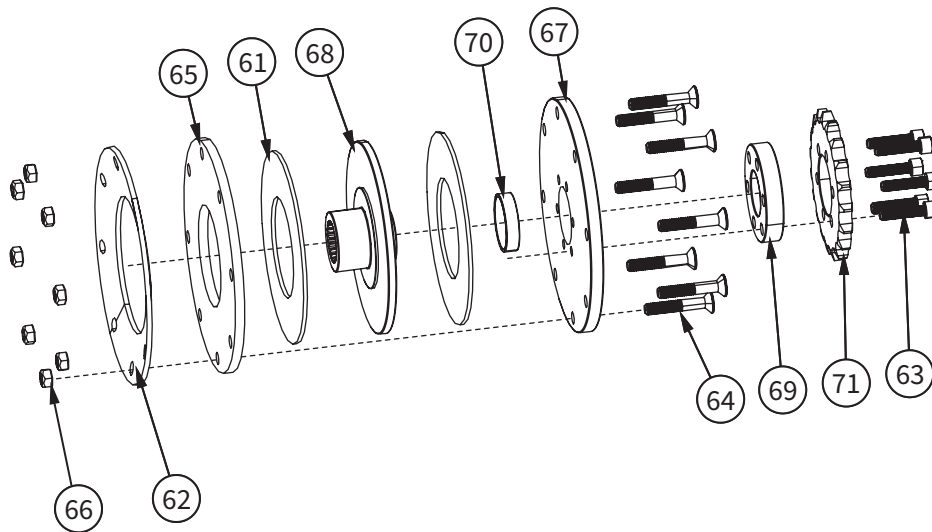


**Figure 18 Dion Mounts and Deflector Parts List - Continued**

Dion Clutch

61	7105	Clutch disc	2
62	7106	Clutch spring washer	1
63	CS38X112	3/8 x 1 1/2" NC cap screw	6
64	CS38x214	3/8 x 2 1/4" NC cap screw	8
65	HM-CH990	Clutch pressure plate	1
66	LN38S	3/8" lock nut	8
67	M4658	Outer clutch housing	1
68	M4659	Clutch center hub	1
69	M4669	Clutch sprocket spacer	1
70	M4670	Clutch bushing (bronze)	1
71	SPR6019C	Sprocket	1

Clutch Detail

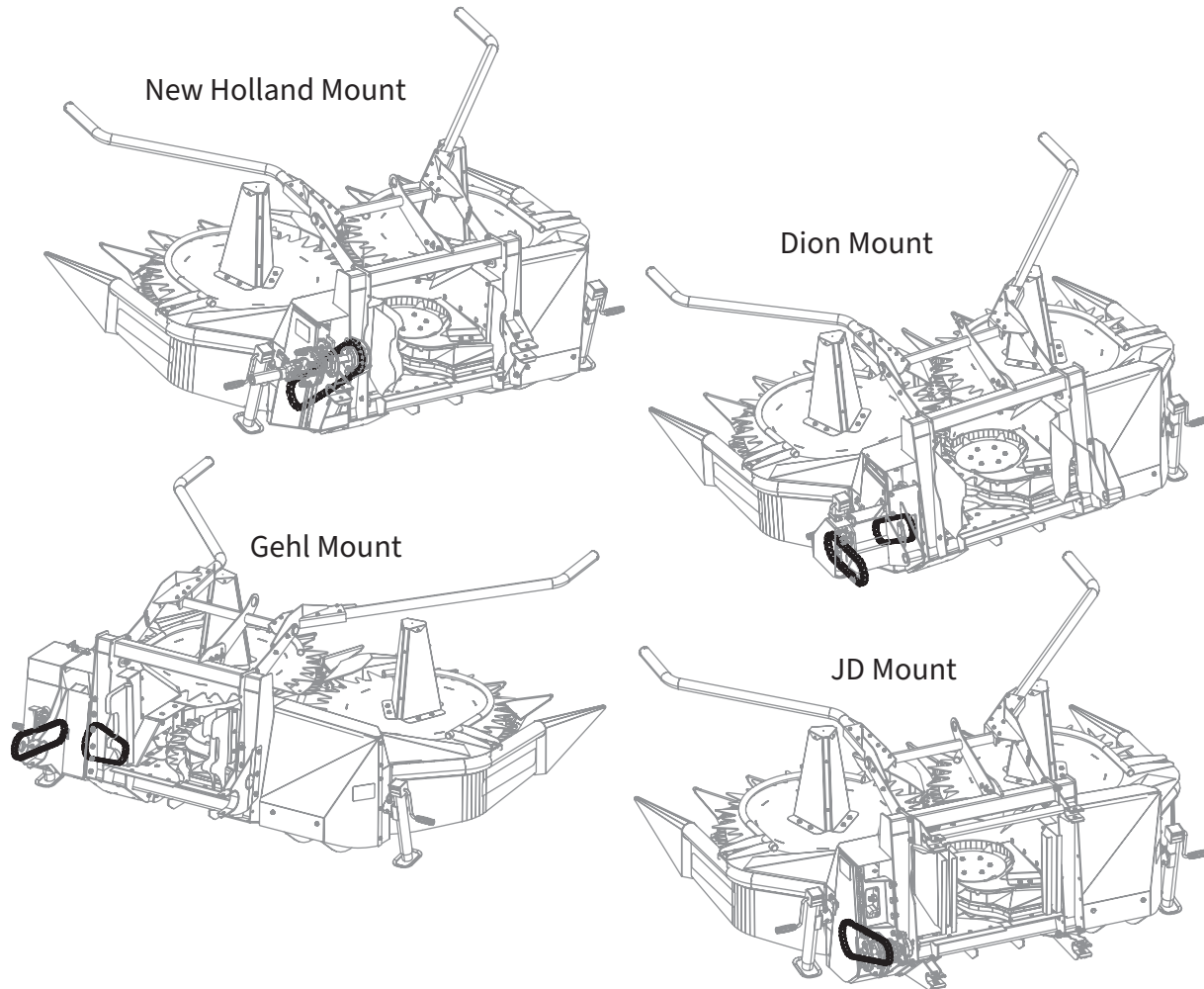


# CH1403 3-ROW ROTARY CORN HEAD

## Maintenance

Interval	10 hours or daily	Yearly	
Tighten Chains	X		See Figure 19 - Page 52
Check and add oil to gearboxes		X	See Figure 20 - Page 53
Grease zerks (under head)	X		See Figure 21 - Page 54
Grease points - Mounts	X		See Figure 22 - Page 55
Check blade cleaners or wackers		X	See Figure 23- Page 56

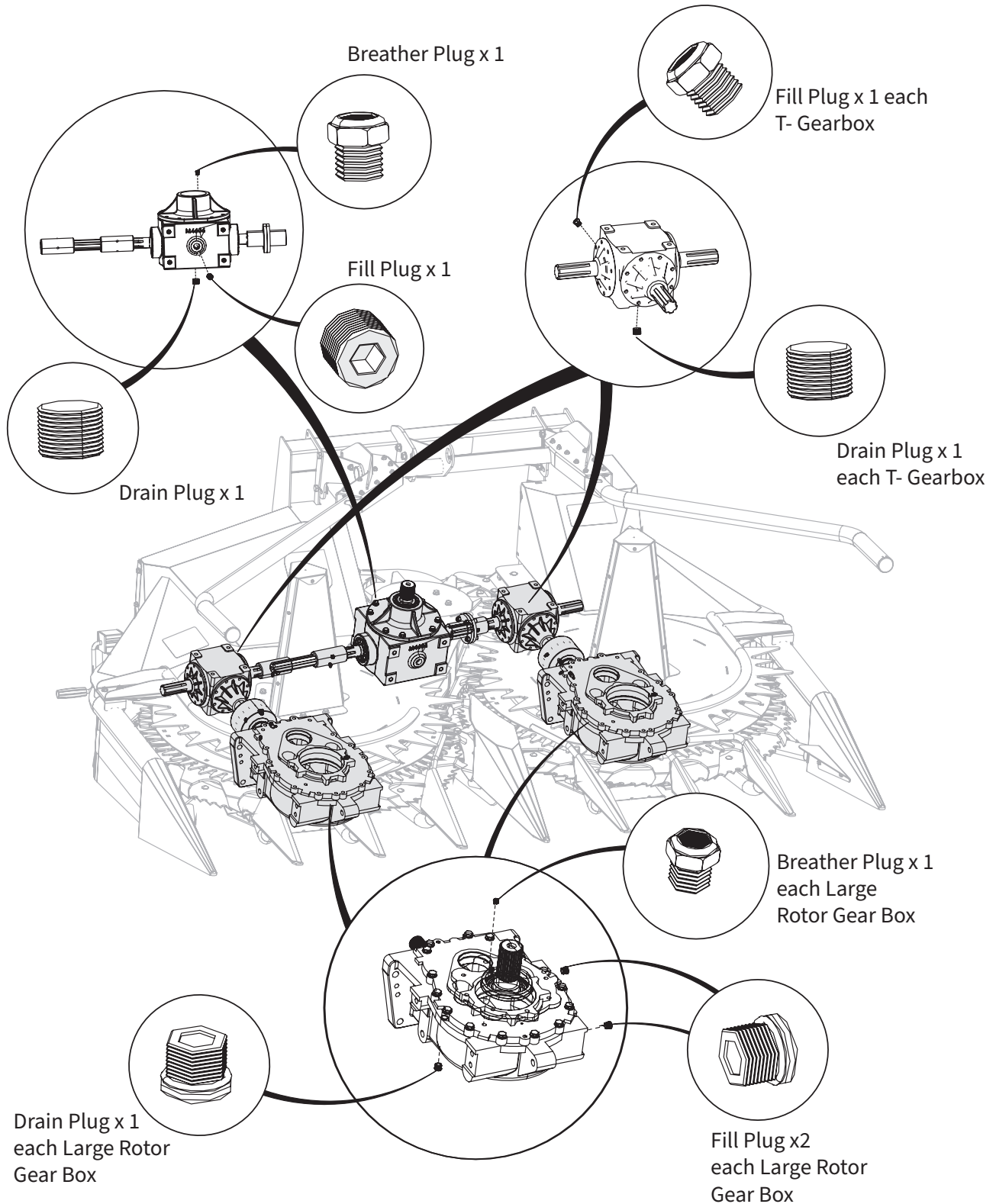
**Figure 19 Tighten Chains - Mount**



## Maintenance

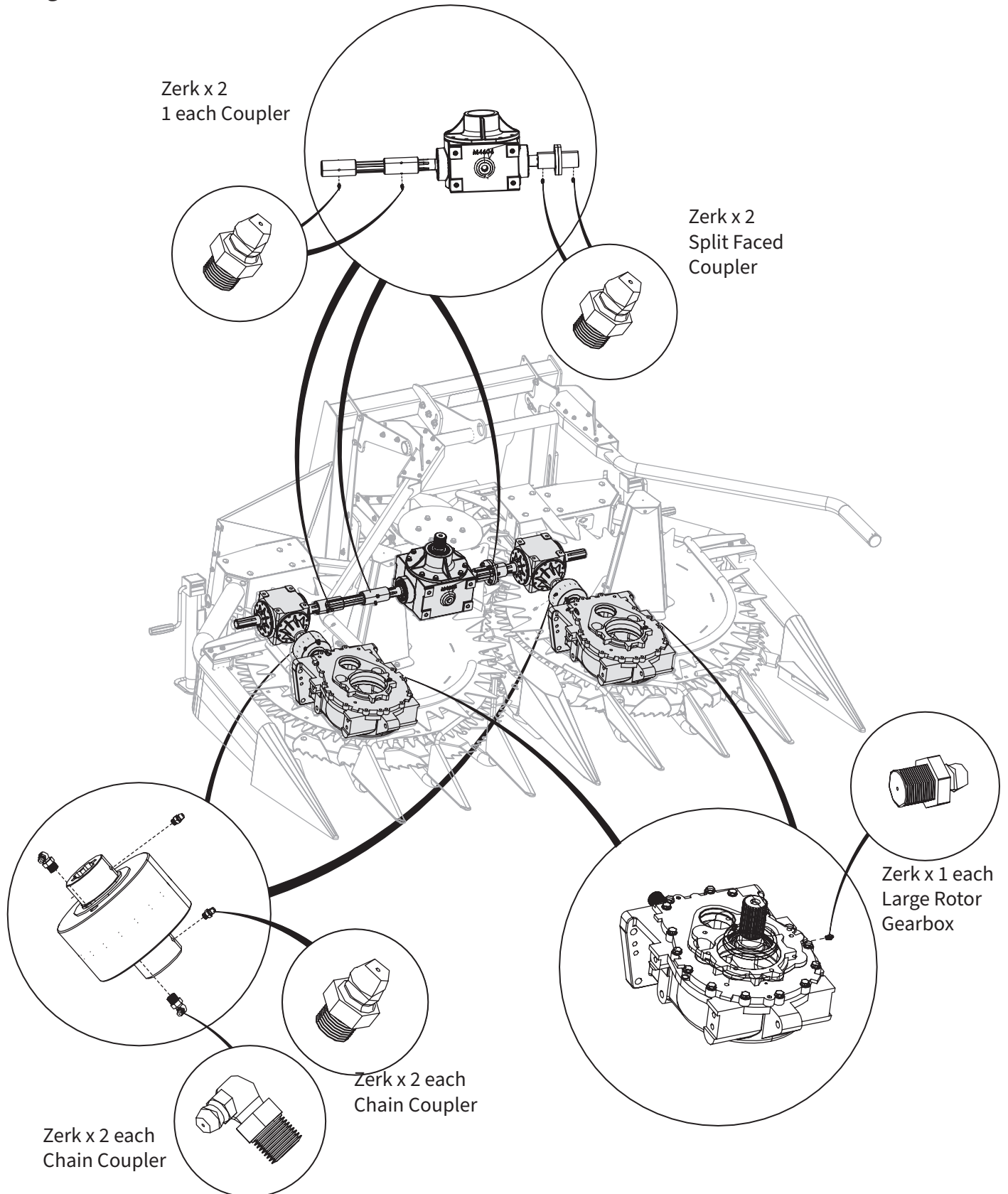
**Figure 20 Check and add oil to gearboxes**

Oil type; 80W-90 GL-5



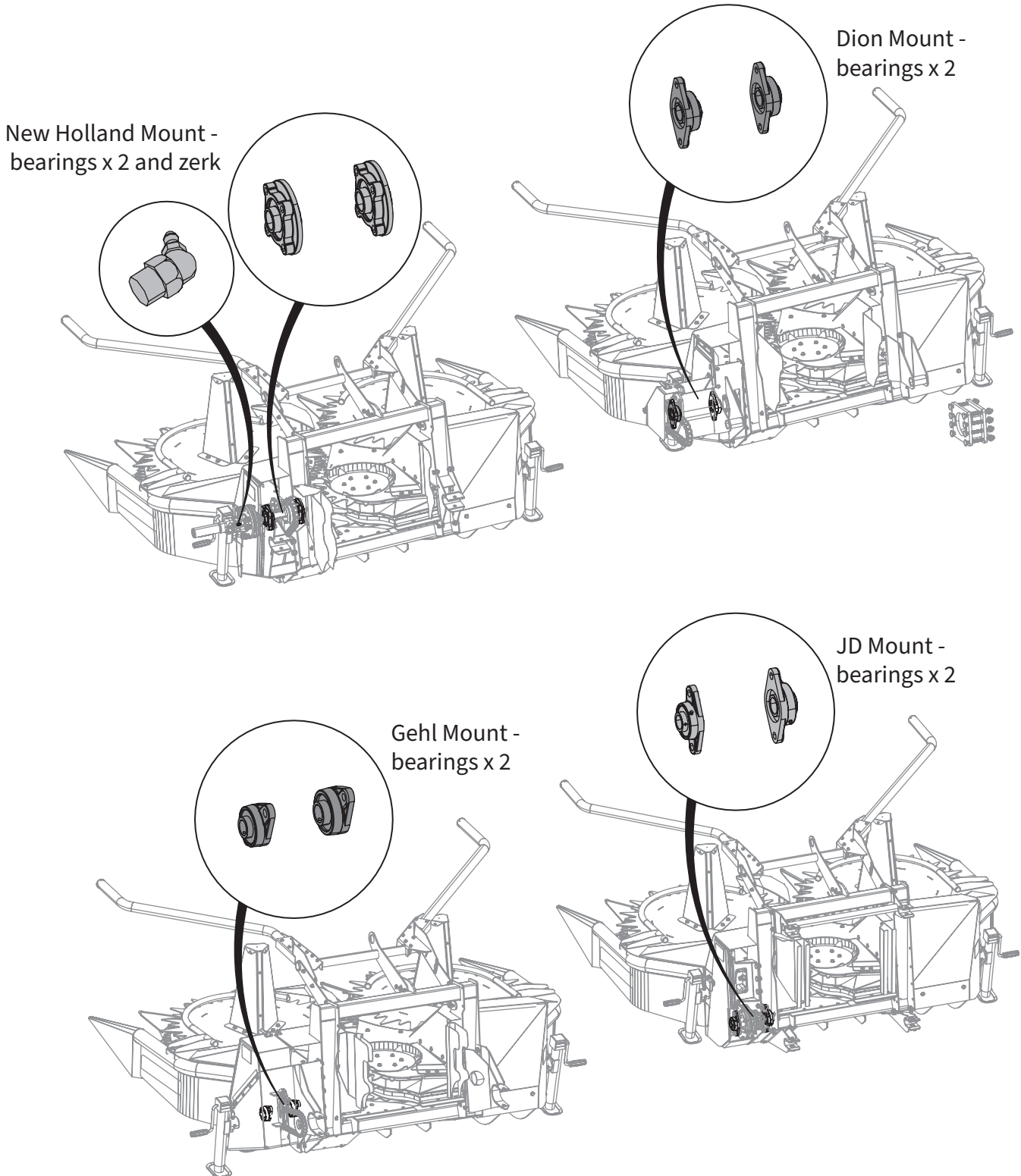
## Maintenance

Figure 21 Grease Zerks



Maintenance

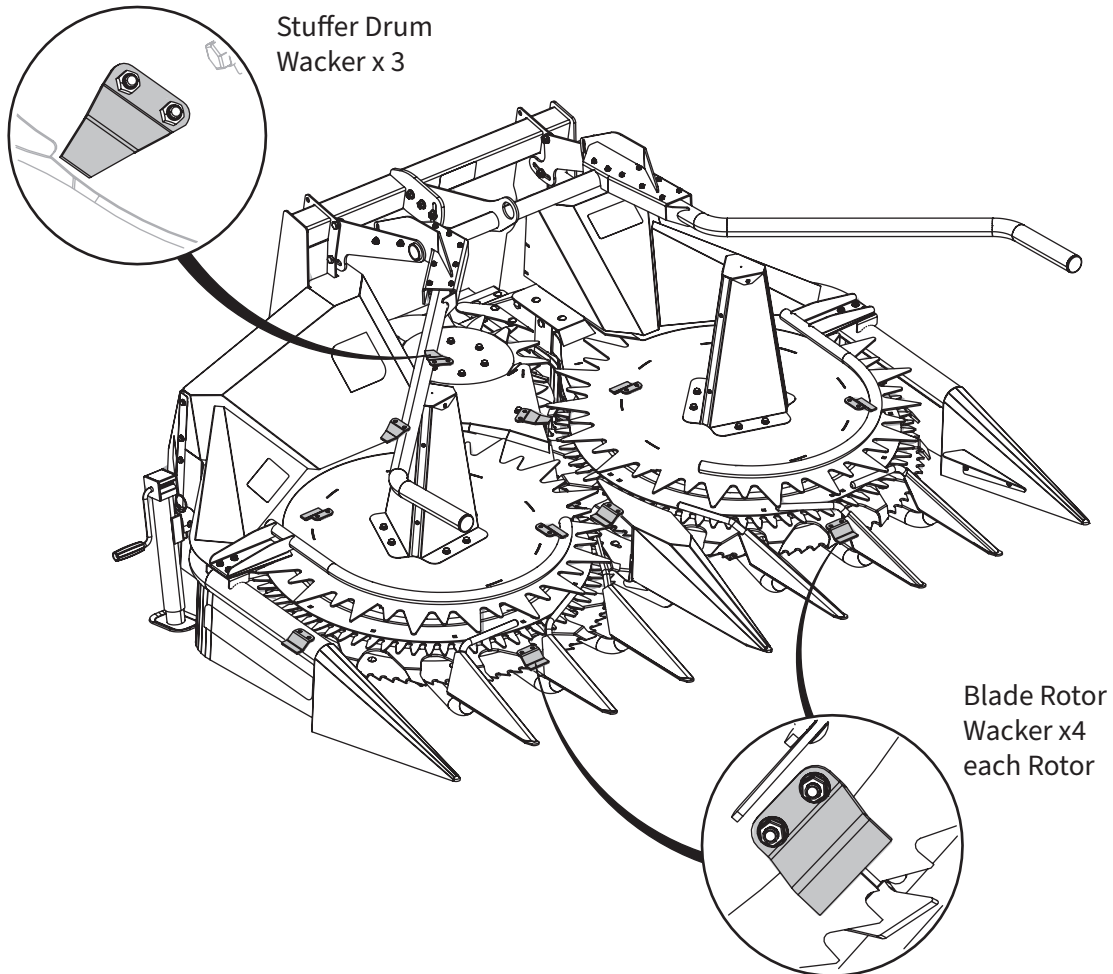
Figure 22 Grease Points - Mount



## Maintenance

---

**Figure 23 Check blade cleaners or wackers**



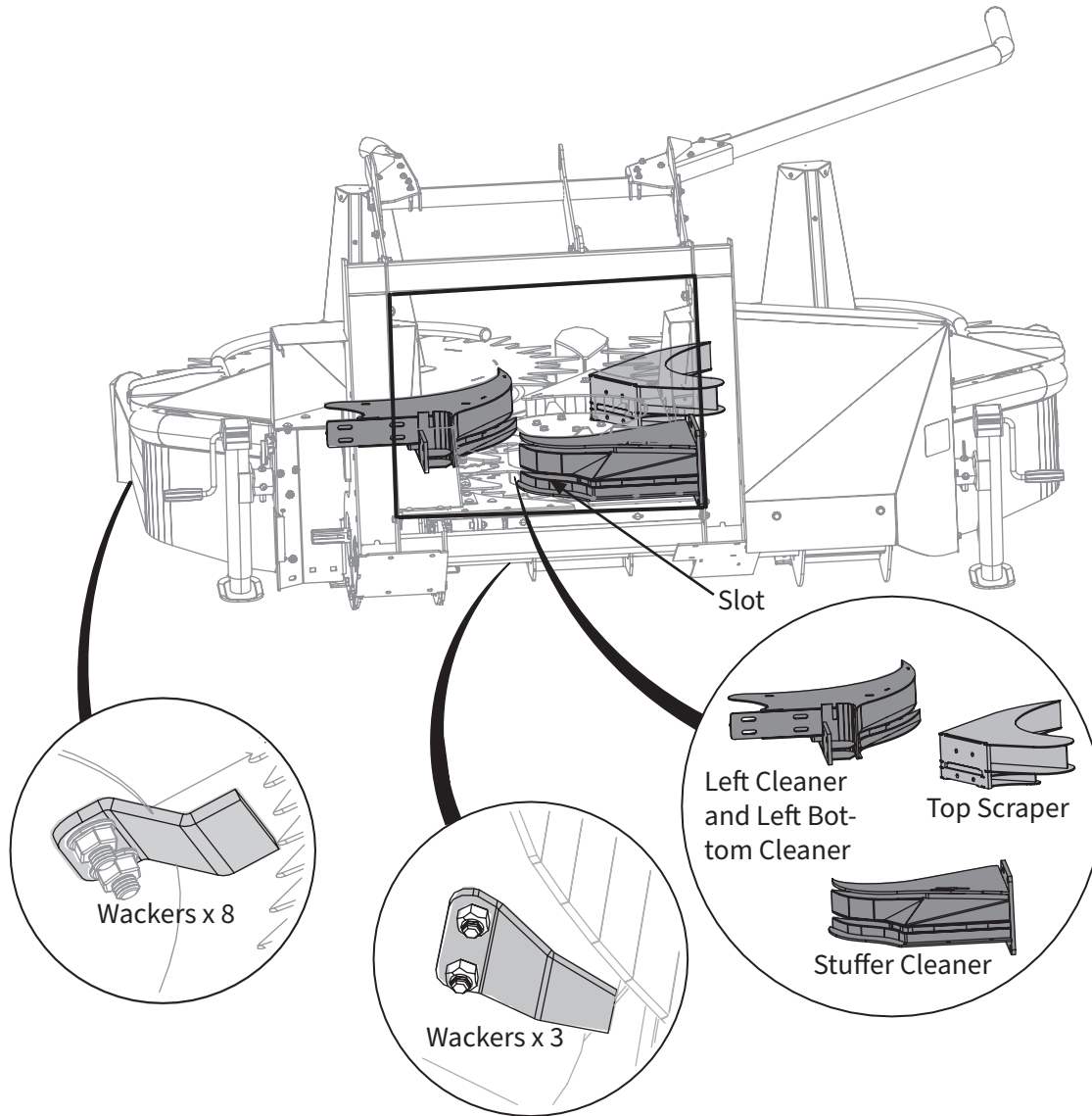


**Troubleshooting**

<b>Problem</b>	<b>Solution</b>	
Plugging behind rotor	Harvester feedroll springs loose - Retighten	See brand specific harvester manual
	Slot plugged - Clear debris out	See Figure 24 - Page 58
	Blade cleaners or wackers missing - Replace	
	Top Scraper not adjusted properly	
	Slot plugged - deflector broke Deflector needs to be flush with top of stuffer bottom	See Figure 27, Page 61
	Slot plugged - Remove or cut grainsaver if on chopper	
	Slot plugged - Rubber strip on back loose and/or inside corner doubled up	See Figure 26, Page 60
Plugging underneath or in front	Worn knives-Replace knives	See Figure 25 - Page 59
	Blade cleaners or wackers missing - Replace	
	Deflector broke or out of adjustment - Deflector needs to be flush with top of stuffer bottom	See Figure 27, Page 61
	Center blade cleaner wore - Move back until tight but not touching	See Figure 28, Page 62
	Stalks laying on front of chopper - Lower or raise corn stalk guides	See Figure 29 - Page 63
Slug feeding	Head is running to high - Lift chopper to maintain down hill slope on head	
	If chopper is at highest setting, extend rubber in back to close gap between feedroll and head	See Figure 26 - Page 60

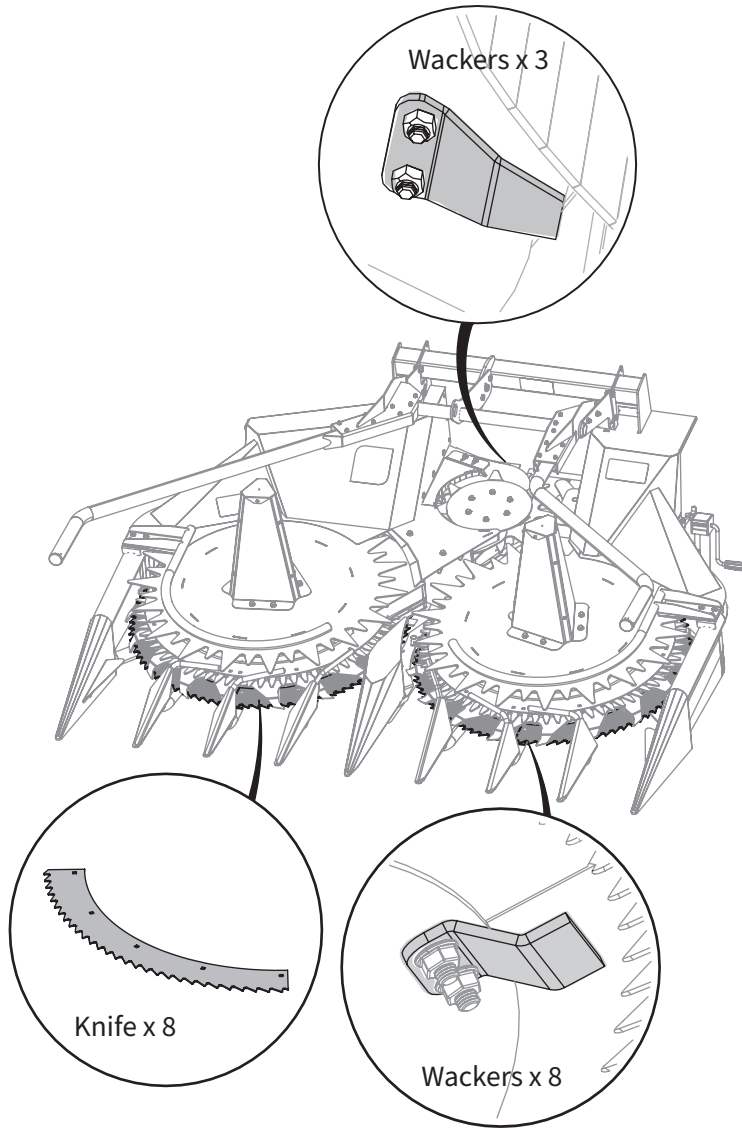
## Troubleshooting

Figure 24 Plugging behind rotor



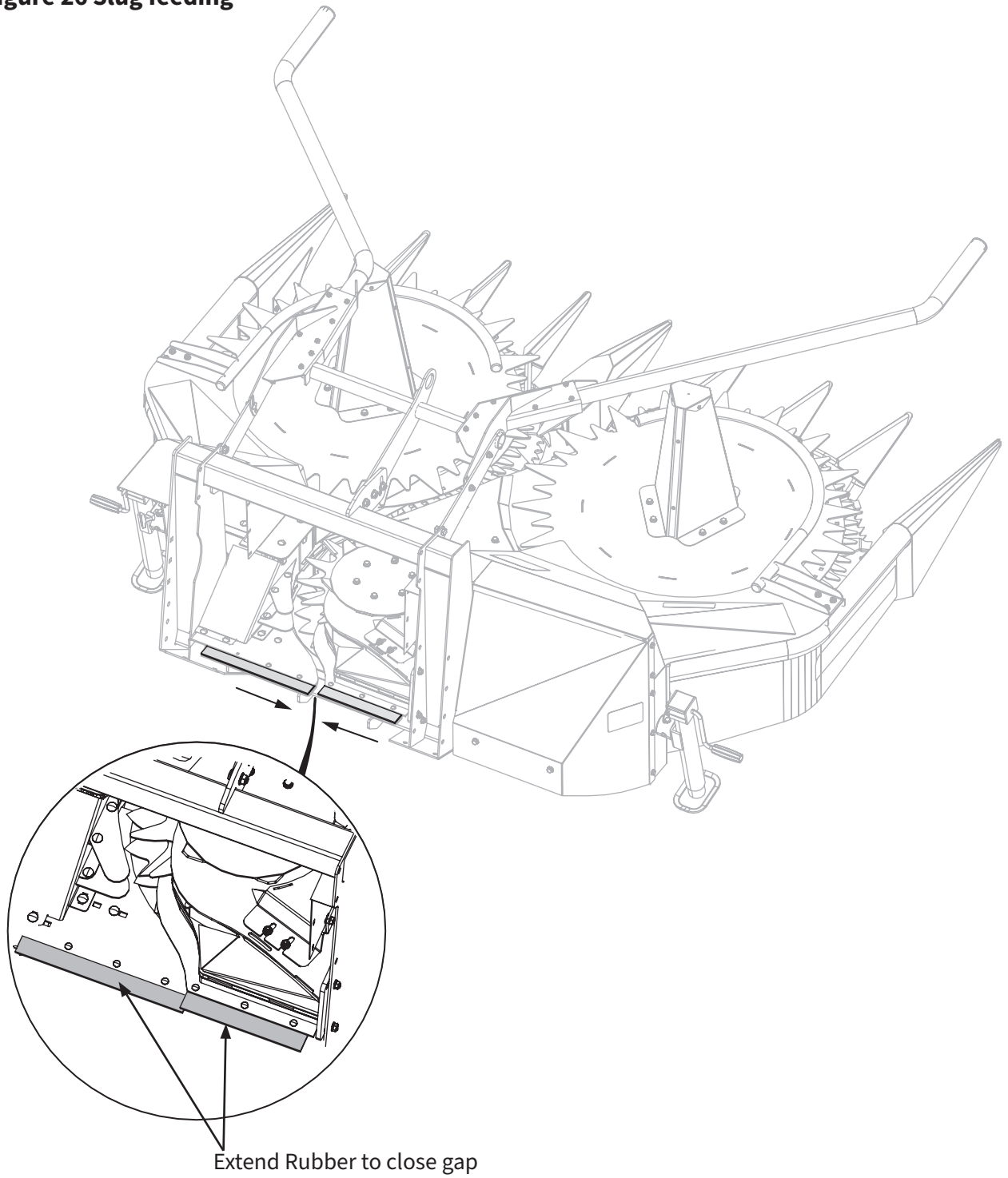
## Troubleshooting

Figure 25 Plugging underneath or in front of



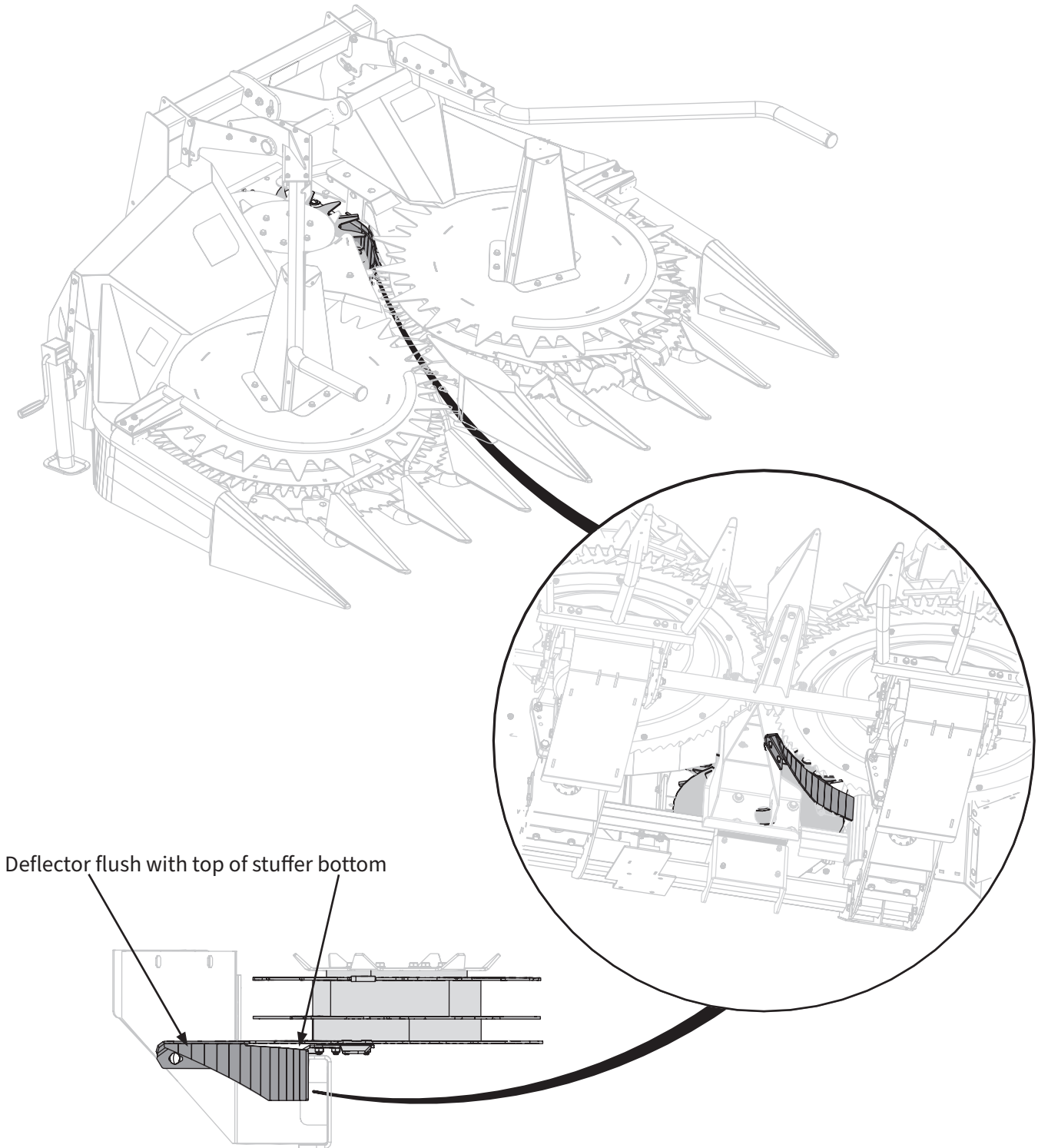
Troubleshooting

Figure 26 Slug feeding



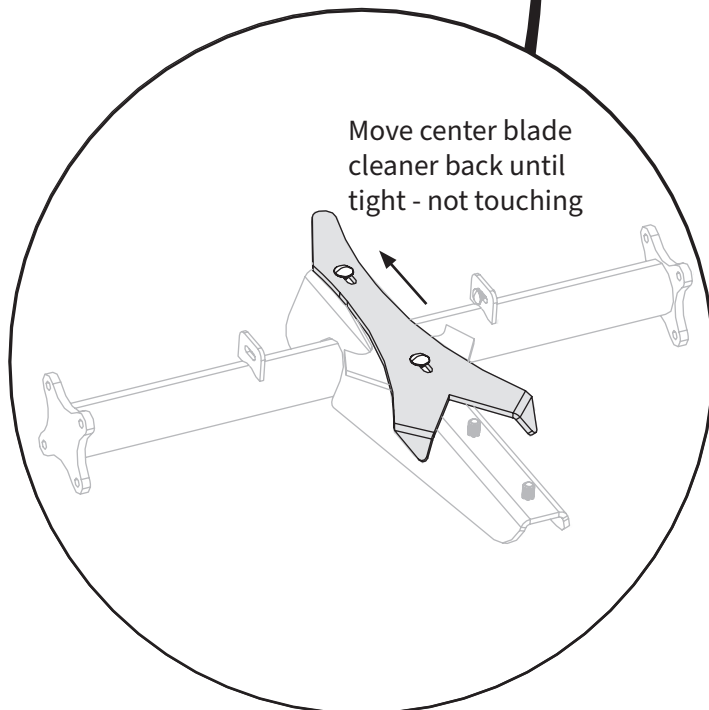
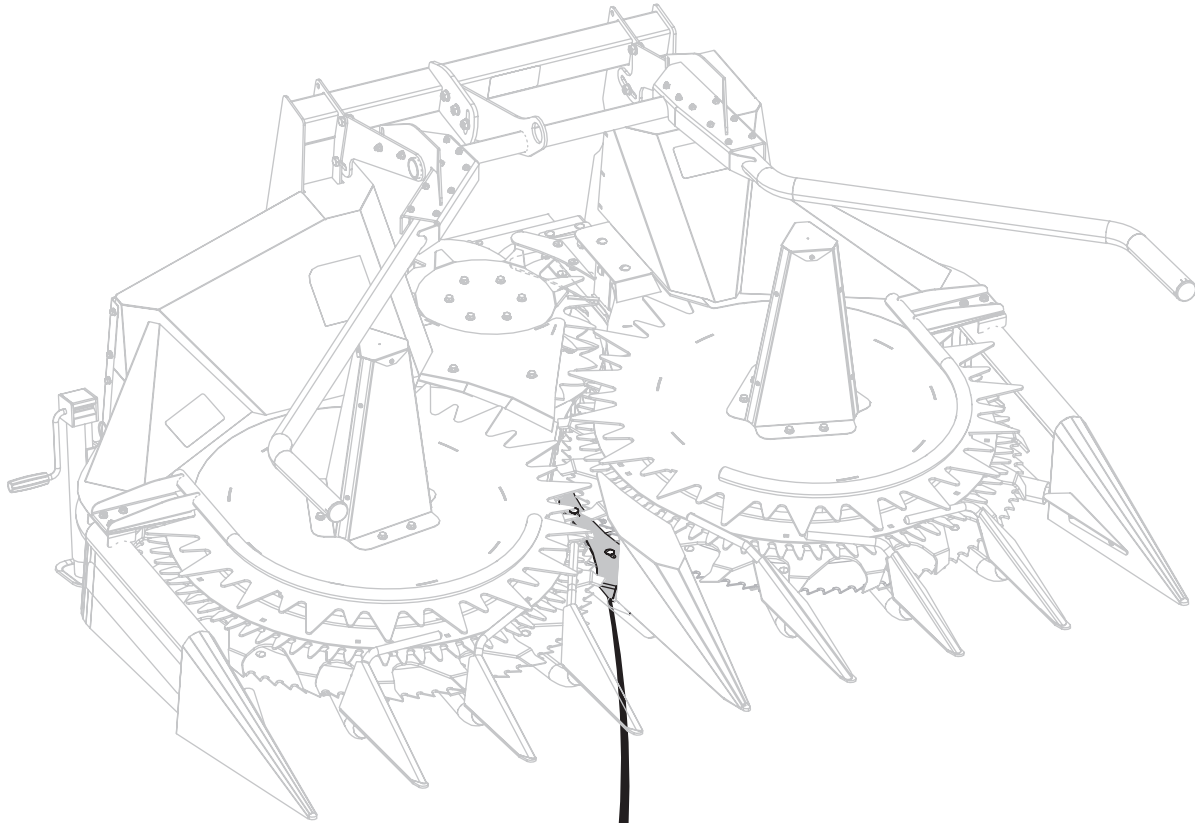
Troubleshooting

Figure 27 Deflector broke or out of adjustment



## Troubleshooting

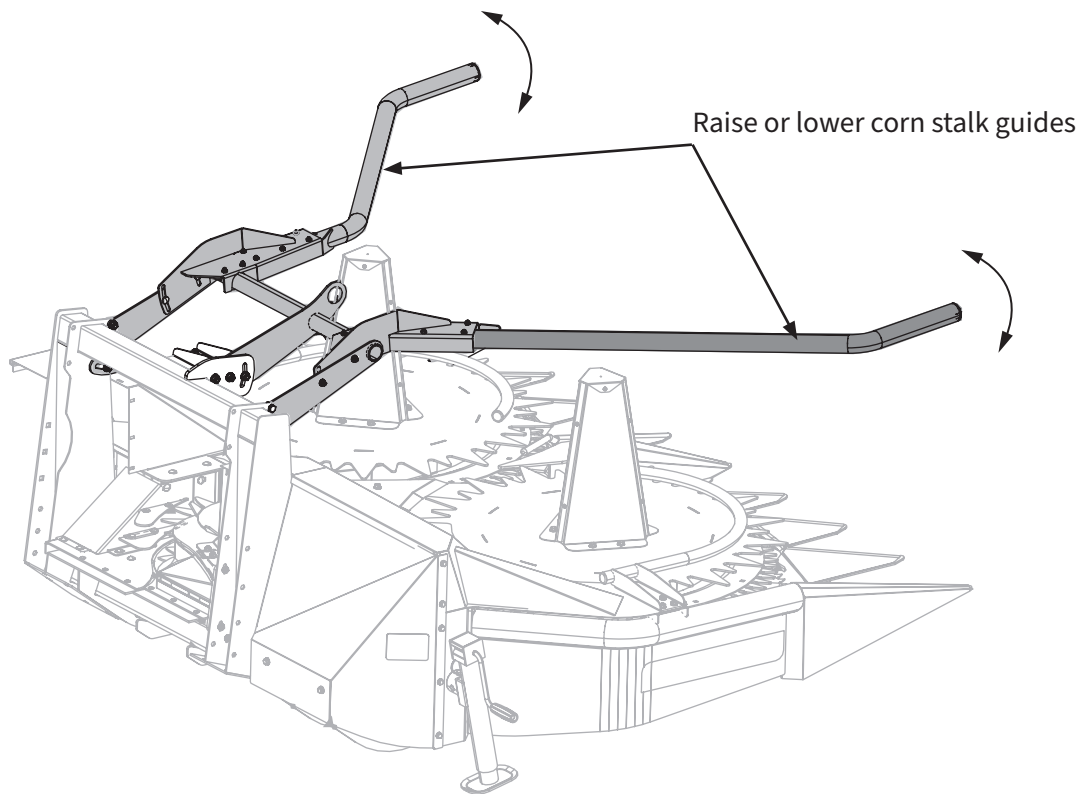
Figure 28 Center blade cleaner wore



**Troubleshooting**

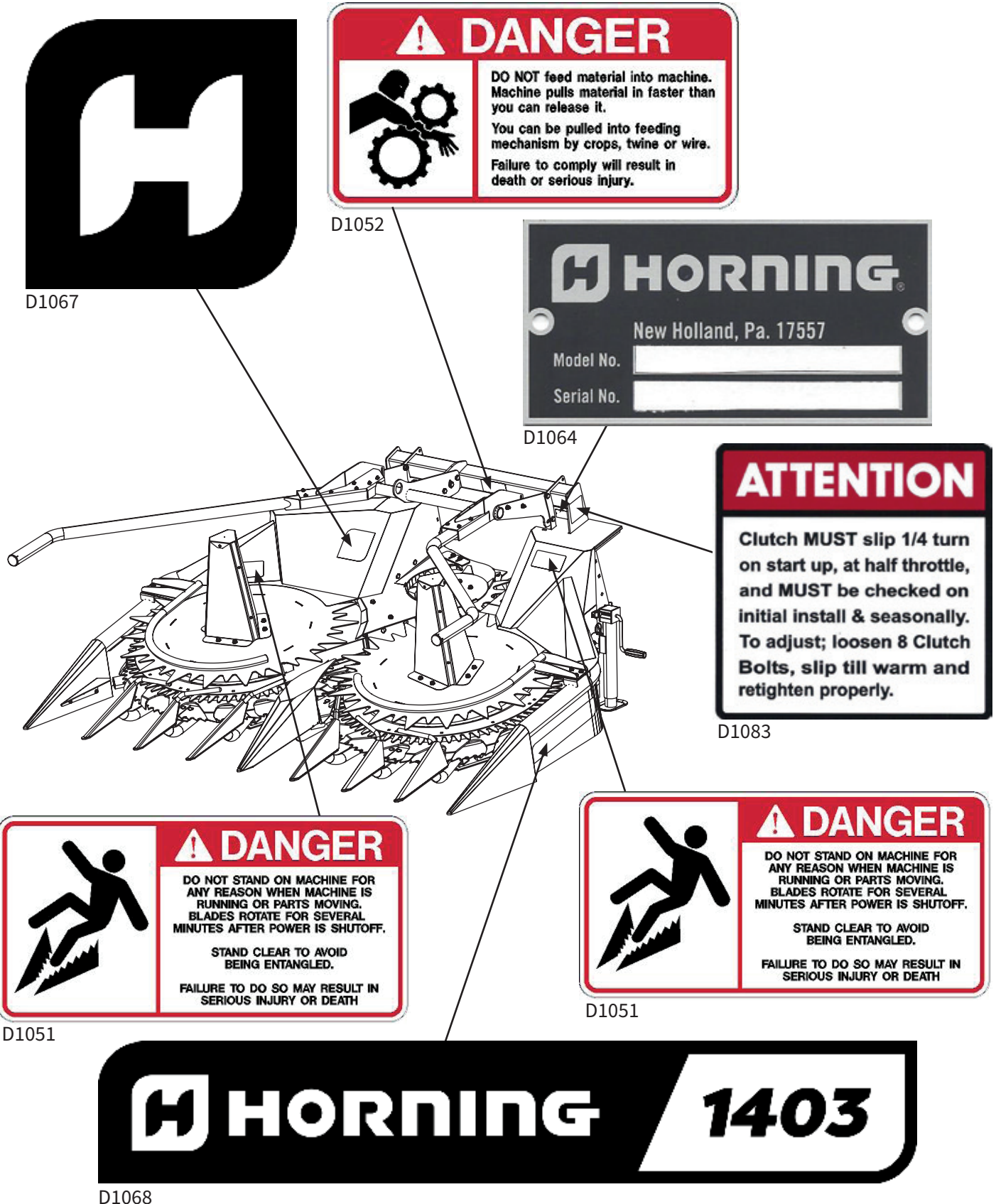
---

**Figure 29 Stalks laying on front of chopper**



Decals

Figure 30 Decals Front



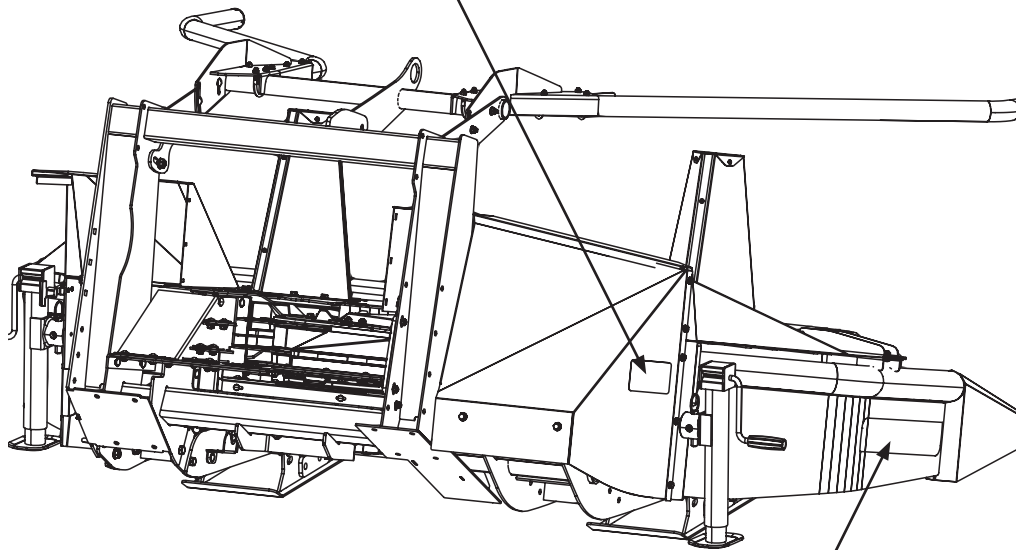


Decals

Figure 31 Decals Back



D1040



D1068

# CH1403 3-ROW ROTARY CORN HEAD



